



**MITSUBISHI  
MOTORS**

Drive your Ambition



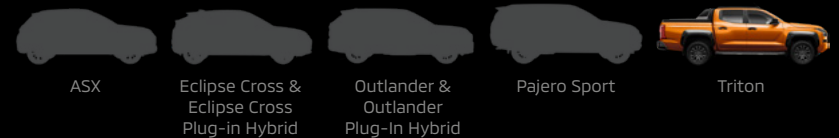
# TRITON

# POWER FOR ADVENTURE



## NOTHING CAN FRIGHTEN A TRITON

Since 1917, Mitsubishi Motors has been at the forefront of technological innovations. Having launched the inventive Super Select 4WD-II system and the world's first Plug-in-hybrid electric SUV, our vehicles have been tested and triumphant on some of the world's toughest terrains including the Dakar Rally. These engineering milestones, together with our commitment to reliability and ingenuity, sets us apart. As we continue to move forward, pushing the boundaries of innovations, you can rest assured your Mitsubishi has been built for your next adventure.



Cover: GSR model shown with genuine accessories.

# THE FREEDOM TO EXPLORE

Go big and go anywhere. The Mitsubishi Triton Pick Up and Triton Cab Chassis are ready for adventure, with more powerful performance both on and off-road.

With stronger towing muscle, and larger dimensions all-round this is a ute that isn't frightened of any challenge – from the roughest worksite to the wildest escape.



# TAKE CONTROL IN THE TOUGHEST TERRAIN

The advanced driving technology of the Mitsubishi Triton will take you places you never thought possible. Hill Start Assist (HSA) prevents you rolling backwards on steep or uneven surfaces by maintaining braking force on any terrain, whilst Hill Descent Control (HDC)\* intelligently manages your speed down steep hills for safer steering and braking control. This makes Triton the perfect fusion of next-generation technology and rugged Australian toughness.



\*GLX-R, GLS and GSR models only. GSR models shown with standard accessories: Black Sailplane and Tub Liner.

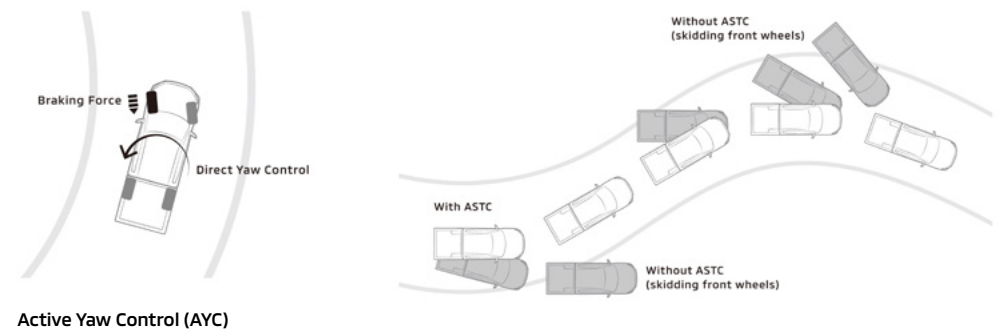
# TOTAL CONFIDENCE FROM TOTAL CONTROL



Triton lets you push the limits of action and adventure on or off-road – all whilst keeping everything under total control. All models feature Active Stability and Active Traction Control for excellent cornering on any surface, and an active Limited Slip Differential helps prevent wheel spin on even the most treacherous off-road situations.

Plus, Triton GSR, GLS and GLX-R models feature Active Yaw Control for precision handling on gravel surfaces or snowy roads. It's the complete package, ready to pave the way to any adventure.

GSR model shown with genuine accessories.



# TOW MORE, ENJOY MORE, RELAX MORE



Great towing starts with great muscle. Triton's hardworking 2.4-litre Bi-Turbo diesel engine features 'twin-stage' turbo charging for maximum grunt of 150kW power and 470Nm torque at a lower rev range than ever before. And, with strengthened chassis frame and suspension, Triton now has a massive 3,500 kg towing capacity in both the rugged pick up and versatile cab chassis.

Triton's towing ability is further enhanced with Trailer Stability Assist which helps prevent 'trailer sway' by controlling individual wheel slip to settle the trailer when it detects the trailer starting to oscillate at speed. Other road users are also alerted with flashing brake lights on both Triton and trailer.

# DISCOVER ADVENTURE ON ANY ROAD

Competition-proven in punishing off-road rallies around the world, then rigorously tested and tuned in Australia, the Triton will take you to the edge of the earth and safely back. The GLX-R, GLS and GSR Super Select 4WD-II models feature seven unique terrain modes: Normal mode, ECO mode, Gravel mode, Snow mode, Mud mode, Sand mode and Rock mode. So, no matter the driving conditions, you have the precise traction to conquer the most challenging terrain.



GSR model shown with genuine accessories.

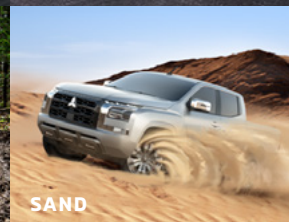
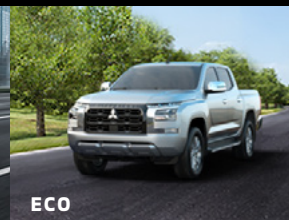
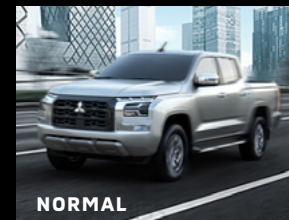


## Super Select 4WD-II

Triton GLX-R, GLS and GSR models feature Mitsubishi's proven Super Select 4WD-II system. This gives you exceptional all-terrain performance with four selectable modes, including 4H (full-time 4WD). Using the drive selector dial you can switch between 2WD (2H) and 4WD (4H, 4HLc) with shift-on-fly convenience at up to 100km/h.

## 7 DRIVE MODE

	<b>2H</b> 2WD		<b>4H</b> Full-time 4WD
	<b>4HLc</b> Centre Diff Locked 4WD		<b>4LLc</b> Low Gear Centre Diff Locked 4WD



# THE ULTIMATE WORKHORSE



Double CAB

## Big and practical cargo space

With enough room to fit a 1200x800mm Euro pallet, the versatile cargo bed, in pick up models, can easily carry all your workday tools and equipment or weekend adventure essentials.



## Wide Side-Step

Play it safe getting in and out with slip-resistant side-steps, even in wet or slippery conditions.

## Rear Bumper Corner Shape

When loading and unloading gear when the tailgate is open, the rear bumper corner step provides the largest foot-space in the category for added ease and safety.



## Large cargo area

Triton's large cargo area enables you to pack in everything you need for worksite or family adventure.

## Rear Inner Hooks

Low-placed rear inner hooks are conveniently located for secure tie-down of loads.





# READY MADE FOR THE TOUGHEST TRADES

In a Mitsubishi Triton you can take on whatever the workday serves up. Engineered to deliver power and performance, with the latest safety technology for peace of mind, these utes are the toughest tools of the trade. Triton's tough, dependable design and engine muscle comes in 4x2 and 4x4 Single Cab, Club Cab and Double Cab body styles, so it's right at home on any jobsite.



Double Cab-Cab Chassis GLX model shown



Double Cab Pick Up GSR model shown\*



Club Cab Pick Up GLX+ model shown

\*Model Shown. GSR plus Roll Top Accessory pack with optional accessories.

# BUILT TO GO ANYWHERE



## New Chassis Frame

Mitsubishi's chassis frames are rigorously tested and proven in the harshest terrains. Built with high-tensile materials, it is designed to withstand the toughest terrain and ensure reliable performance in any condition. This rigid frame is the foundation upon which Triton's outstanding on/off-road performance and ride comfort is engineered.



## Redesigned Suspension System

Both front and rear suspension systems are completely redesigned for next level performance, comfort, and handling both on and off-road.





# TECHNOLOGY AT YOUR FINGERTIPS

## 9-inch Infotainment System

Enjoy a stress-free and enjoyable time in the vehicle with the intuitive and convenient 9-inch infotainment system that comes with smartphone connectivity (Android Auto™ and wireless Apple CarPlay) and navigation system. The new big and high-resolution screen is located high on the dash panel for easy-to-use convenience.

# EMPOWERS ANY JOURNEY

Triton's interior is designed to deliver a pleasurable driving experience. Ergonomically designed for long trip comfort and packed with cutting edge technology, this is an environment that is perfect for work, play or family – around the block or around the country.

## Charging within reach

Stay connected with 2-USB ports (Type A and C) at the front and 2-USB power ports (Type A and C) at the back of the console, excluding GLX models, so your devices can remain charged at all times.

## Multi-Information Meter

The new 7-inch multi-information display features 'at a glance' recognition and clarity – giving you all the vehicle's vital data and performance information for a more engaging drive.



GSR & GLS Interior shown. Tablet, mobile phone & cables not included.



# SPACE TO SHARE AND ENJOY

With new, ergonomically supportive seats and increased cabin space, on or off-road trips offer a level of comfort that is more car-like than utility.



GSR interior shown.

## Next level air conditioning

Nothing is as important in the Australian environment than awesome air-conditioning and the Triton has a powerful system to keep everyone cool even on sweltering days. Double Cab 4WD models feature a rear roof mounted adjustable air circulator, so every passenger is kept in complete comfort.





Single Cab - Cab Chassis GLX model shown^



Double Cab - Cab Chassis GLX model shown^



Club Cab - Cab Chassis GLX model shown^

# MADE FOR THE TOUGHEST TASKS

Triton Cab Chassis is built for worksite flexibility. Conquer any worksite challenge thanks to a customisable tray for specialist jobs, paired with a Bi-Turbo Engine for Triton's most powerful on and off-road performance ever.

With heavy-duty rear suspension\* for bulky loads, plus proven off-road technology for rugged terrain, this 4x4 or 4x2 is geared up for the toughest jobs and roughest adventures.

\*Excludes GLS & GSR models. ^Models shown are fitted with genuine accessories.

# WHATEVER THE JOB CONSIDER IT DONE

Triton Double Cab Chassis models have everything you want in a tough, reliable ute. Whether it's the industrious GLX, GLX+, or the adventurous GLS and GSR, Triton's range of 4x2 and 4x4 Double Cab models makes choosing the toughest job of all.

Triton Cab Chassis is secured with the latest features to keep you and your crew safe on the road, including Forward Collision Mitigation, Rear Cross Traffic Alert and Tyre Pressure Monitoring system. Plus, improve your visibility without impacting other drivers with Auto High Beam in foggy or misty conditions. Rain, hail or shine, Triton Cab Chassis is ready to get to work, and get you home.



Double Cab Chassis GLX model shown with optional accessories.



Single Cab Chassis GLX model shown with optional accessories.

## Make light work of heavy loads

You can have your Triton Cab Chassis both designed and built to fit your Triton perfectly. Mitsubishi Genuine Steel Trays are available in durable galvanised finish or optional body colour paint, while the Genuine Alloy Tray is lightweight and corrosion resistant. Both offer a generous load capacity, the ability to load from either side, plus a range of accessories.



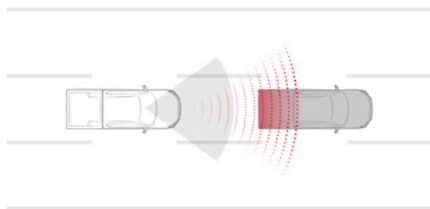
# PEACE OF MIND WITH ADVANCED SAFETY FEATURES

Mitsubishi Motors Intuitive Technology or MITEC, is an integrated system of brilliant innovations in action, working in unison to guide, protect and alert. It thinks like you, reacts like you, before you even know it. MITEC delivers reassuring safety and next

generation features to give you peace of mind during every adventure and ensuring a safe return home. These significant features have earned Triton maximum ANCAP safety rating of 5 Stars, so you can rest assured you're driving one of the safest utes on the road.

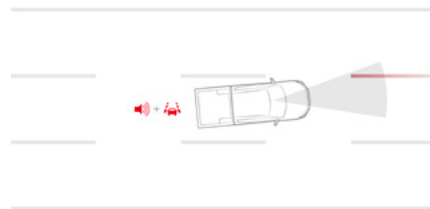


\*Five-star rating is only applicable to all Triton Dual-Cab Pick Up model grades, across 4 x 2 and 4 x 4 drivetrains tested to the 2024 ANCAP Protocols.



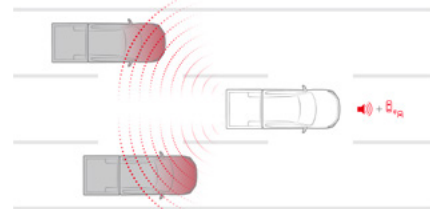
## Adaptive Cruise Control (ACC)<sup>^</sup>

Adaptive Cruise Control uses radar technology to detect any cars in the same lane and adjusts the speed of your car accordingly while maintaining a safe distance set by you.



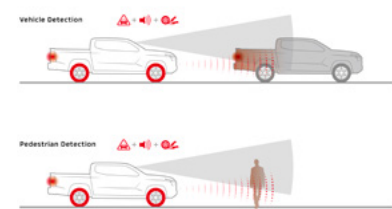
## Lane Departure Warning (LDW)

Lane Departure Warning uses front camera to issue an alert if the vehicle drifts from its lane while the turn signals are not operating. The system operates at speeds above 60km/h and will vibrate the steering wheel and flash lane departure warning light.



## Blind Spot Warning (BSW)

Blind Spot Warning uses the rear radar sensors to detect another vehicle travelling or overtaking in the next lane behind. The system operates at speeds above 10km/h and will illuminate the BSW warning light in the corresponding side mirror when a vehicle is in the detection zone. If driver activates the turn signal towards the corresponding hazard, the BSW lamp will blink, and audible alert will sound twice.



## Forward Collision Mitigation (FCM)

Forward Collision Mitigation system with pedestrian detection, cyclist detection and junction assist detects obstructions ahead and issues a visual and audible alert when there is a danger of collision and automatically applies the brakes to avoid collision or reduce impact speed/severity.

<sup>^</sup>Auto models only. Overseas model shown.

### **Driver Attention Alert (DAA)**

Driver Attention Alert (DAA) monitors the driver's steering behaviour to alert for potential driver distraction or drowsiness at speeds over 60km/h. Audible and visual warnings are signaled to the driver suggesting "take a break".

### **Rear Cross Traffic Alert (RCTA)**

The Rear Cross Traffic Alert detects a moving object when reversing, a warning message appears on the multi-information display. The system operates when the vehicle is in reverse at speeds below 8km/h. It can detect moving objects from approx. 20m away, alerting the driver via an audible chime and blinking BSW warning light in side mirror.

### **Front Cross Traffic Alert (FCTA)\***

Front Cross Traffic Alert system uses the front side radar sensors to detect another vehicle approaching when entering an intersection. It can detect an approaching vehicle from approx. 20m away, alerting the driver via an audible chime and blinking light in the multi-information meter\*.

\*No Cost Option that can be enabled by the dealership. Not compatible with Front Protection Bar (FPB) Genuine Accessory.

### **Intelligent Speed Limiter (ISL)**

The ISL prompts the driver to reset the vehicle's upper speed limit to the newly detected speed limit. If there are no speed limit signs on the road, the speed limit data from the navigation system is used. These systems help prevent inadvertent speeding and support safe driving.

### **Tyre Pressure Monitor System (TPMS)**

TPMS monitors tyre pressure and detects low pressure early for safe and fuel-efficient driving. It will display the current pressure of each tyre with low pressure warning if the tyre pressure is less than the user set target tyre pressure.

### **Hill Descent Control (HDC)**

Pressing the HDC mode selector activates the HDC, which automatically maintains the driver's selected speed while traveling downhill. This lets the driver concentrate on steering for a safer driving experience without having to manually apply the brakes. HDC can be activated and set at any speed between 2 and 20km/h.

### **Hill Start Assist (HSA)**

Steep hills and city streets are no longer a problem with Mitsubishi's Hill Start Assist technology. Hill Start Assist automatically keeps the brakes applied to help prevent the vehicle from rolling backwards, before automatically releasing the brakes in the time it takes for the driver to apply the accelerator when the vehicle is stopped on a hill.

### **Multi Around View Monitor<sup>^</sup>**

Multi Around Monitor provides a 360° birds-eye view of your Triton. The view from cameras mounted on the front, rear and sides of the vehicle (including birds-eye view) can be displayed in various combinations to reveal what is in your blind spots and help you park more safely.

### **Rear Automatic Emergency Braking<sup>^</sup>**

Rear Automatic Emergency Braking system detects obstructions behind the vehicle and warns via visual and audio alerts when there is a risk of collision. It automatically applies brakes to avoid or reduce the impact. Rear-AEB is automatically disengaged when a trailer is hitched to the Triton when using Mitsubishi Genuine towing accessories.

### **Traffic Sign Recognition (TSR)**

The Traffic Sign Recognition (TSR) system recognises speed limit signs via a front windscreen-mounted camera or navigation system data, which is displayed on the Multi-Information Display. TSR alerts the driver with a visual alert if the vehicle exceeds the speed limit.

### **Automatic High Beam**

Auto High Beam provides comfortable and safe night time driving. The system automatically switches the headlights between low and high beam if it detects a vehicle ahead, allowing the driver to keep both hands on the steering wheel.

### **Lane Departure Prevention (LDP) with Emergency Lane Assist (ELA)**

Emergency Lane Assist uses the front camera to detect the road edge and lane markings, and front radar to detect vehicles approaching from the front, while simultaneously using the rear side radar sensors to detect vehicles approaching from the rear. The system operates at speeds above 60km/h and will vibrate the steering wheel and flash the lane departure warning light when activated. The vehicle will also apply the brakes on one side to help return the vehicle to the centre of the travelling lane.

### **Driver Monitor System (DMS)**

The Driver Monitoring System uses a steering column-mounted camera to monitor the driver's face and detect a potential lack of driver attention or drowsiness. When detected, the system can respond with an audio prompt or visual alert which appears on the meter display. If the system detects distraction, the Forward Collision Mitigation (FCM) operates earlier than usual. If the system detects fatigue (Drowsiness, Micro-sleep, Sleep), FCM and Lane Departure Warning operate earlier than usual.

### **Blind Spot Warning & Lane Change Assist**

Blind spot Warning uses the rear side radar sensors to detect another vehicle travelling or overtaking in the next lane behind. The system operates at speeds above 10km/h, and will illuminate the BSW warning light in the corresponding side mirror when a vehicle is in the detection zone. If driver activates the turn signal towards the corresponding hazard, the BSW lamp will blink and audible alert will sound twice.

# KEY SPECIFICATIONS AND FEATURES

KEY	■	Standard
	□	Optional
	-	Not available

	2WD					4WD									
	GLX Single Cab Cab Chassis	GLX Double Cab Pick-Up	GLX Single Cab Cab Chassis	GLX Club Cab Cab Chassis	GLX+ Club Cab Pick-Up	GLX Double Cab Cab Chassis	GLX Double Cab Pick-Up	GLX+ Double Cab Cab Chassis	GLX+ Double Cab Pick-Up	GLX-R Double Cab Pick-Up	GLS Double Cab Cab Chassis	GLS Double Cab Pick-Up	GSR Double Cab Cab Chassis	GSR Double Cab Pick-Up	
	Man/Auto	Auto	Man/Auto	Auto	Auto	Man/Auto	Auto	Auto	Auto	Auto	Auto	Auto	Auto	Auto	
<b>Engine</b>															
Type	2.4L 4N16 Bi-Turbo Diesel					2.4L 4N16 Bi-Turbo Diesel					2.4L 4N16 Bi-Turbo Diesel				
Size (L)	2.4					2.4					2.4				
Displacement (cc)	2442					2442					2442				
Bore x Stroke (mm)	86.0 x 105.1					86.0 x 105.1					86.0 x 105.1				
Maximum Power (kW@rpm)	150@3500					150@3500					150@3500				
Maximum Torque (Nm@rpm)	470@1500-2750					470@1500-2750					470@1500-2750				
Fuel Type	Diesel					Diesel					Diesel				
Engine Auto Stop & Go	■ (auto)	■	■ (auto)	■	■ (auto)	■	■ (auto)	■	■	■	■	■	■	■	
Fuel consumption (ADR 81/02per 100km)*	7.4 / 7.6	7.5	7.6/7.7	7.7	7.7	7.6/7.7	7.7	7.7	7.7	7.7	7.7	7.7	7.7	7.7	
CO2 - g/km	195 / 199	197	197/202	203	203	200/203	203	203	203	203	203	203	203	203	
Fuel tank capacity (L)	75					75					75				
AdBlue tank capacity (L)	17					17					17				
<b>Transmission</b>															
Type	Manual / Auto	Auto	Manual / Auto	Auto	Auto	Manual / Auto	Auto	Auto	Auto	Auto	Auto	Auto	Auto	Auto	
Number of speeds	6	6	6	6	6	6	6	6	6	6	6	6	6	6	
Manual shift mode	■ (auto)	■	■ (auto)	■	■	■ (auto)	■	■	■	■	■	■	■	■	
Gear ratio 1st	4.692 / 3.600	3.600	4.692 / 3.600	3.600	3.600	4.692 / 3.600	3.600	3.600	3.600	3.600	3.600	3.600	3.600	3.600	
2nd	2.482 / 2.090	2.090	2.482 / 2.090	2.090	2.090	2.482 / 2.090	2.090	2.090	2.090	2.090	2.090	2.090	2.090	2.090	
3rd	1.474 / 1.488	1.488	1.474 / 1.488	1.488	1.488	1.474 / 1.488	1.488	1.488	1.488	1.488	1.488	1.488	1.488	1.488	
4th	1.000 / 1.000	1.000	1.000 / 1.000	1.000	1.000	1.000 / 1.000	1.000	1.000	1.000	1.000	1.000	1.000	1.000	1.000	
5th	0.778 / 0.687	0.687	0.778 / 0.687	0.687	0.687	0.778 / 0.687	0.687	0.687	0.687	0.687	0.687	0.687	0.687	0.687	
6th	0.661 / 0.580	0.580	0.661 / 0.580	0.580	0.580	0.661 / 0.580	0.580	0.580	0.580	0.580	0.580	0.580	0.580	0.580	
Reverse	3.959 / 3.732	3.732	3.959 / 3.732	3.732	3.732	3.959 / 3.732	3.732	3.732	3.732	3.732	3.732	3.732	3.732	3.732	
Rear axle ratio	3.692 / 4.272	4.272	3.692 / 4.272	4.272	4.272	3.692 / 4.272	4.272	4.272	4.272	4.272	4.272	4.272	4.272	4.272	
4WD transfer box - High / Low ratio	-	-	1.000 / 2.566	1.000 / 2.566	1.000 / 2.566	1.000 / 2.566	1.000 / 2.566	1.000 / 2.566	1.000 / 2.566	1.000 / 2.566	1.000 / 2.566	1.000 / 2.566	1.000 / 2.566	1.000 / 2.566	
Easy Select 4WD	-	-	■	■	■	■	■	■	■	■	■	■	■	■	
Super Select 4WD-II	-	-	-	-	-	-	-	-	-	-	-	-	-	-	
Selectable off-road modes	-	-	-	-	-	-	-	-	-	-	-	-	-	-	
Active Yaw Control (AYC)	-	-	-	-	-	-	-	-	-	-	-	-	-	-	
Rear differential lock	-	-	-	-	■	-	-	-	-	■	-	-	■	-	
<b>Steering &amp; Chassis</b>															
Electric Power Steering (EPS)	■					■					■				
Steering Gear Type Rack & Pinion	■					■					■				
Front brakes	Ventilated disc 320 mm					Ventilated disc 320 mm					Ventilated disc 320 mm				
Rear brakes	11.6" LT drum					11.6" LT drum					11.6" LT drum				
Front suspension	High mounted double wishbone with coil spring & stabiliser bar					High mounted double wishbone with coil spring & stabiliser bar					High mounted double wishbone with coil spring & stabiliser bar				
Rear suspension	Leaf spring (heavy duty)					Leaf spring (heavy duty)					Leaf spring (Standard)				
Underbody guard (heavy duty)	-					■					■				
<b>Wheels and Tyres</b>															
Wheels	Steel					Alloy					Alloy (black finish)				
Wheel size (inches)	17x7.5J					17x7.5J					17x7.5J				
Tyre type	Highway Terrain					All Terrain					All Terrain				
Tyre size	265/65R17 112H					265/65R17 112H					265/65R17 112H				
Spare wheel type	Full size					Full size (alloy)					Full size (alloy)				

MECHANICAL

KEY	■	Standard	2WD						4WD							
	□	Optional	GLX Single Cab Cab Chassis	GLX Double Cab Pick-Up	GLX Single Cab Cab Chassis	GLX Club Cab Cab Chassis	GLX+ Club Cab Pick-Up	GLX Double Cab Cab Chassis	GLX Double Cab Pick-Up	GLX+ Double Cab Cab Chassis	GLX+ Double Cab Pick-Up	GLX-R Double Cab Pick-Up	GLS Double Cab Cab Chassis	GLS Double Cab Pick-Up	GSR Double Cab Cab Chassis	GSR Double Cab Pick-Up
	-	Not available	Man/Auto	Auto	Man/Auto	Auto	Auto	Man/Auto	Auto	Auto	Auto	Auto	Auto	Auto	Auto	Auto
<b>Active Safety</b>																
Forward Collision Mitigation (FCM) with Cyclist & Pedestrian detection	■	■	■	■	■	■	■	■	■	■	■	■	■	■	■	■
Forward Collision Mitigation (FCM) Junction assist	■	■	■	■	■	■	■	■	■	■	■	■	■	■	■	■
Rear Autonomous Emergency Braking (R-AEB)	-	■	-	-	■	-	■	-	■	■	■	-	■	-	■	■
Rear Cross Traffic Alert (RCTA)	■	■	■	■	■	■	■	■	■	■	■	■	■	■	■	■
Front Cross Traffic Alert (FCTA)^	■	■	■	■	■	■	■	○	■	■	■	■	■	■	■	■
Automatic post-collision braking	■	■	■	■	■	■	■	■	■	■	■	■	■	■	■	■
Emergency Lane Assist (ELA)	■	■	■	■	■	■	■	■	■	■	■	■	■	■	■	■
Lane Departure Prevention (LDP)	■	■	■	■	■	■	■	■	■	■	■	■	■	■	■	■
Lane Departure Warning (LDW)	■	■	■	■	■	■	■	■	■	■	■	■	■	■	■	■
Lane Change Assist (LCA)	■	■	■	■	■	■	■	■	■	■	■	■	■	■	■	■
Blind Spot Warning (BSW)	■	■	■	■	■	■	■	■	■	■	■	■	■	■	■	■
Driver Monitoring System (DMS)	■	■	■	■	■	■	■	■	■	■	■	■	■	■	■	■
Driver Attention Alert (DAA)	■	■	■	■	■	■	■	■	■	■	■	■	■	■	■	■
Intelligent Speed Limiter (ISL)	■	■	■	■	■	■	■	■	■	■	■	■	■	■	■	■
Tyre Pressure Monitoring System (TPMS)	■	■	■	■	■	■	■	■	■	■	■	■	■	■	■	■
Automatic High Beam (AHB)	■	■	■	■	■	■	■	■	■	■	■	■	■	■	■	■
Emergency Stop Signal function (ESS)	■	■	■	■	■	■	■	■	■	■	■	■	■	■	■	■
Emergency Brake Assist system (EBA)	■	■	■	■	■	■	■	■	■	■	■	■	■	■	■	■
Hill Start Assist (HSA)	■	■	■	■	■	■	■	■	■	■	■	■	■	■	■	■
Hill Descent Control (HDC)	-	-	-	-	-	-	-	-	-	-	■	■	■	■	■	■
Active Stability Control (ASC)	■	■	■	■	■	■	■	■	■	■	■	■	■	■	■	■
Trailer Stability Assist (TSA)	■	■	■	■	■	■	■	■	■	■	■	■	■	■	■	■
Active Traction Control (ATC)	■	■	■	■	■	■	■	■	■	■	■	■	■	■	■	■
Anti-lock Braking System (ABS)	■	■	■	■	■	■	■	■	■	■	■	■	■	■	■	■
Electronic Brakeforce Distribution (EBD)	■	■	■	■	■	■	■	■	■	■	■	■	■	■	■	■
Brake Assist System (BAS)	■	■	■	■	■	■	■	■	■	■	■	■	■	■	■	■
<b>Airbags</b>																
Driver & front passenger SRS airbags	■	■	■	■	■	■	■	■	■	■	■	■	■	■	■	■
Driver & front passenger side SRS airbags	■	■	■	■	■	■	■	■	■	■	■	■	■	■	■	■
Curtain SRS airbags	■	■	■	■	■	■	■	■	■	■	■	■	■	■	■	■
Driver knee airbag	■	■	■	■	■	■	■	■	■	■	■	■	■	■	■	■
Centre airbag	■	■	■	■	■	■	■	■	■	■	■	■	■	■	■	■
<b>Seat Belts</b>																
Front seat belt pretensioners	■	■	■	■	■	■	■	■	■	■	■	■	■	■	■	■
Front seat belt force limiters	■	■	■	■	■	■	■	■	■	■	■	■	■	■	■	■
<b>Child Safety</b>																
ISO-Fix child seat anchorage	-	2	-	-	-	2	2	2	2	2	2	2	2	2	2	2
Child restraint top tether	-	2	-	-	-	2	2	2	2	2	2	2	2	2	2	2
Child proof rear door locks	-	■	-	-	-	■	■	■	■	■	■	■	■	■	■	■
Power window lock driver control - passenger windows	■	■	■	■	■	■	■	■	■	■	■	■	■	■	■	■
<b>Driver Assistance</b>																
Cruise control	■	■	■	■	■	■	■	■	■	■	■	■	■	■	■	■
Adaptive Cruise Control (ACC)	■ (auto)	■	■ (auto)	■	■	■ (auto)	■	■	■	■	■	■	■	■	■	■
Traffic Sign Recognition (TSR)	■	■	■	■	■	■	■	■	■	■	■	■	■	■	■	■
Multi Information Display (inches)	70	70	70	70	70	70	70	70	70	70	70	70	70	70	70	70
Auto dimming rear view mirror	-	-	-	-	-	-	-	-	-	-	-	■	■	■	■	■
Automatic dusk sensing headlights	■	■	■	■	■	■	■	■	■	■	■	■	■	■	■	■
Automatic rain sensing wipers	■	■	■	■	■	■	■	■	■	■	■	■	■	■	■	■
Speed sensitive intermittent windscreen wipers	■	■	■	■	■	■	■	■	■	■	■	■	■	■	■	■

SAFETY, SECURITY AND DRIVER ASSISTANCE



KEY	<input checked="" type="checkbox"/> Standard <input type="checkbox"/> Optional <input type="checkbox"/> Not available		2WD		4WD										
	GLX Single Cab Cab Chassis	GLX Double Cab Pick-Up	GLX Single Cab Cab Chassis	GLX Club Cab Cab Chassis	GLX+ Club Cab Pick-Up	GLX Double Cab Cab Chassis	GLX Double Cab Pick-Up	GLX+ Double Cab Cab Chassis	GLX+ Double Cab Pick-Up	GLX-R Double Cab Pick-Up	GLS Double Cab Cab Chassis	GLS Double Cab Pick-Up	GSR Double Cab Cab Chassis	GSR Double Cab Pick-Up	
	Man/Auto	Auto	Man/Auto	Auto	Auto	Man/Auto	Auto	Auto	Auto	Auto	Auto	Auto	Auto	Auto	
INTERIOR	<b>Styling</b>														
	Leather bound steering wheel	-	-	-	-	-	-	-	-	-	■	■	■	■	■
	Leather bound gearshift	-	-	-	-	-	-	-	-	-	■	■	■	■	■
	Leather bound park brake	-	-	-	-	-	-	-	-	-	■	■	■	■	■
	Orange accent stitching	-	-	-	-	-	-	-	-	-	-	-	■	■	■
	Carpet floor covering	-	-	-	-	-	-	-	-	-	■	■	■	■	■
	Vinyl floor covering	■	■	■	■	■	■	■	■	■	■	■	■	■	■
	Carpet mats	-	-	-	-	-	-	-	-	-	-	-	-	■	■
	<b>Seating</b>														
	Leather appointed seats	-	-	-	-	-	-	-	-	-	-	■	■	■	■
	Water repellent seat fabric	-	-	-	-	-	-	-	-	-	-	-	-	-	-
	Fabric seat trim	■	■	■	■	■	■	■	■	■	■	■	■	-	-
	Heated front seats	-	-	-	-	-	-	-	-	-	-	-	■	■	■
	Driver's seat power adjustment	-	-	-	-	-	-	-	-	-	-	-	■	■	■
	Driver's seat manual adjustment	■	■	■	■	■	■	■	■	■	■	■	■	-	-
	Driver's seat power lumbar adjustment	■	■	■	■	■	■	■	■	■	■	■	■	■	■
	2nd row centre armrest with cupholders	-	-	-	-	-	-	-	-	-	■	■	■	■	■
	<b>Storage</b>														
	Centre console storage box - with lid	■	■	■	■	■	■	■	■	■	■	■	■	■	■
	Upper glove box - with lid	-	-	-	-	-	-	-	-	-	-	■	■	■	■
Upper glove box - open	■	■	■	■	■	■	■	■	■	■	-	-	-	-	
Cup holders - dash mounted	-	-	-	-	-	-	-	-	-	-	-	-	2	2	
Cup holders - other	2	4	2	2	2	4	4	4	4	4	4	4	4	4	
Bottle holders	2	4	2	2	4	4	4	4	4	4	4	4	4	4	
Sunglasses storage	■	■	■	■	■	■	■	■	■	■	■	■	■	■	
Door pockets - front	■	■	■	■	■	■	■	■	■	■	■	■	■	■	
Seat back pocket - driver and passenger	-	■	-	-	■	■	■	■	■	■	■	■	■	■	
<b>Exterior Dimensions</b>															
Overall length (mm)	Dependent on tray fitted	5320	Dependent on tray fitted	5320	Dependent on tray fitted	5320	Dependent on tray fitted	5320	Dependent on tray fitted	5320	Dependent on tray	5320	Dependent on tray	5320	
Overall width (mm)	1865	1865	1865	1865	1865	1865	1865	1865	1865	1865	1865	1865	1865	1865	
Overall height (mm)	1785	1795	1785	1795	1795	1795	1795	1795	1795	1795	1795	1815	1815	1815	
Wheelbase (mm)	3130	3130	3130	3130	3130	3130	3130	3130	3130	3130	3130	3130	3130	3130	
Turning circle, kerb to kerb (m)	12.4	12.4	12	12.4	12.4	12.4	12.4	12.4	12.4	12.4	12.4	12.4	12.4	12.4	
Approach angle (degrees)	30.4	30.4	30	30.4	30.4	30.4	30.4	30.4	30.4	30.4	30.4	30.4	30.4	30.4	
Departure angle (degrees)	Dependent on tray fitted	22.8	Dependent on tray fitted	22.8	Dependent on tray fitted	22.8	Dependent on tray fitted	22.8	Dependent on tray fitted	22.8	Dependent on tray	22.8	Dependent on tray	22.8	
Ramp breakover angle (degrees)	23.6	23.6	23	23.4	23.4	23.4	23.4	23.4	23.4	23.4	23.4	23.4	23.4	23.4	
Ground clearance (mm)	228	228	228	228	228	228	228	228	228	228	228	228	228	228	
<b>Interior Dimensions</b>															
Front head room (mm)	1007	1000	1007	1000	1000	1000	1000	1000	1000	1000	1000	1000	1000	1000	
Front leg room (mm)	1059	1059	1059	1059	1059	1059	1059	1059	1059	1059	1059	1059	1059	1059	
Front shoulder room (mm)	1479	1479	1479	1479	1479	1479	1479	1479	1479	1479	1479	1479	1479	1479	
2nd row head room (mm)	-	972	-	916	916	916	916	916	916	916	916	916	916	916	
2nd row leg room (mm)	-	857	-	632	632	632	632	632	632	632	632	632	632	632	
2nd row shoulder room (mm)	-	1445	-	1270	1270	1270	1270	1270	1270	1270	1270	1270	1270	1270	
<b>Weights and Capacities</b>															
Kerb mass (kg)	1766 / 1756	2015	1870 / 1865	1957	2089	2003 / 1993	2117	1991	2108	2107	1990	2129*	2006	2166*	
Gross vehicle mass (GVM) - [kg]		3070		3200						3200					
Gross combination mass (GCM) - [kg]		6210		6250						6250					
Maximum payload (kg)	1304 / 1314	1055	1330 / 1335	1243	1111	1197 / 1207	1083	1209	1092	1093	1210	1071*	1194	1034*	
Maximum front axle load (kg)		1500		1580						1580					
Maximum rear axle load (kg)		1980		2040						2040					
Towing capacity - braked (kg)	3500	3500		3500						3500					
Towing capacity - unbraked (kg)	750	3000		750						750					
Towing capacity - maximum towball load (kg)	350	350		350						350					
<b>Cargo</b>															
Cargo body interior length (mm)		1555			1860		1555			1555		1555		1555	
Cargo body interior width (mm)	Dependent on tray fitted	1545	Dependent on tray fitted	1535	Dependent on tray fitted	1545	Dependent on tray fitted	1545	Dependent on tray fitted	1545	Dependent on tray fitted	1545	Dependent on tray	1545	
Cargo body interior height (mm)		526		515		526		526		526		526		526	
Cargo body floor height from ground (mm)		820		820		820		820		820		820		820	
Width between wheel arches (mm)	-	1135	-	1135	-	1135	-	1135	-	1135	-	1135	-	1135	
<b>Standard</b>															
Sailplane	-	-	-	-	-	-	-	-	-	-	-	-	-	■	
Sports Bar	-	-	-	-	-	-	-	-	-	-	■	-	-	■	
Tub Liner	-	-	-	-	-	-	-	-	-	-	-	■	-	■	
Tailgate Asssist	-	-	-	-	-	-	-	-	■	■	-	■	-	■	
Carpet Mats	-	-	-	-	-	-	-	-	-	-	-	-	-	■	

\* Australian Standard ADR 81/02. Figures to be used for comparison across vehicles. Driving conditions will affect actual results.  
 ^ No cost dealer fit-option. Not compatible with genuine Front Protection Bar (FPB).  
 + Kerb mass and Payload shown for Standard models. Kerb mass/Payload for GLS Leather and GSR Special Edition is 2135/1065 and 2150/1050 respectively.

**PICK UP**

**EXTERIORS**

**INTERIORS**

**GLX**  
**DOUBLE CAB**

(2WD / 4WD) 6 MT 6 AT



Black Fabric

COMING SOON

**GLX+**  
**CLUB CAB**

(4WD) 6 AT



Black Fabric with Silver Stitching

**GLX+**  
**DOUBLE CAB**

(4WD) 6 AT



Black Fabric with Silver Stitching

**GLX-R**  
**DOUBLE CAB**

(4WD) 6 AT



Black Fabric with Silver Stitching. Leather Appointed\* with Silver Stitching (Optional)

**GLS**  
**DOUBLE CAB**

(4WD) 6 AT



Black Fabric with Silver Stitching. Leather Appointed\* with Silver Stitching (Optional)

**GSR**  
**DOUBLE CAB**

(4WD) 6 AT



Black Leather Appointed\* with Orange Stitching

# CAB CHASSIS

COMING SOON

## GLX

SINGLE CAB-CAB CHASSIS

(2WD / 4WD) 6 MT 6 AT



Black Fabric

COMING SOON

## GLX

CLUB CAB-CAB CHASSIS

(4WD) 6 AT



Black Fabric

## GLX

DOUBLE CAB-CAB CHASSIS

(2WD / 4WD) 6 MT 6 AT



Black Fabric

## GLX+

DOUBLE CAB-CAB CHASSIS

(4WD) 6 AT



Black Fabric with Silver Stitching. Leather Appointed\* with Silver Stitching (Optional)

## GLS

DOUBLE CAB-CAB CHASSIS

(4WD) 6 AT



Black Fabric with Silver Stitching. Leather Appointed\* with Silver Stitching (Optional)

## GSR

DOUBLE CAB-CAB CHASSIS

(4WD) 6 AT

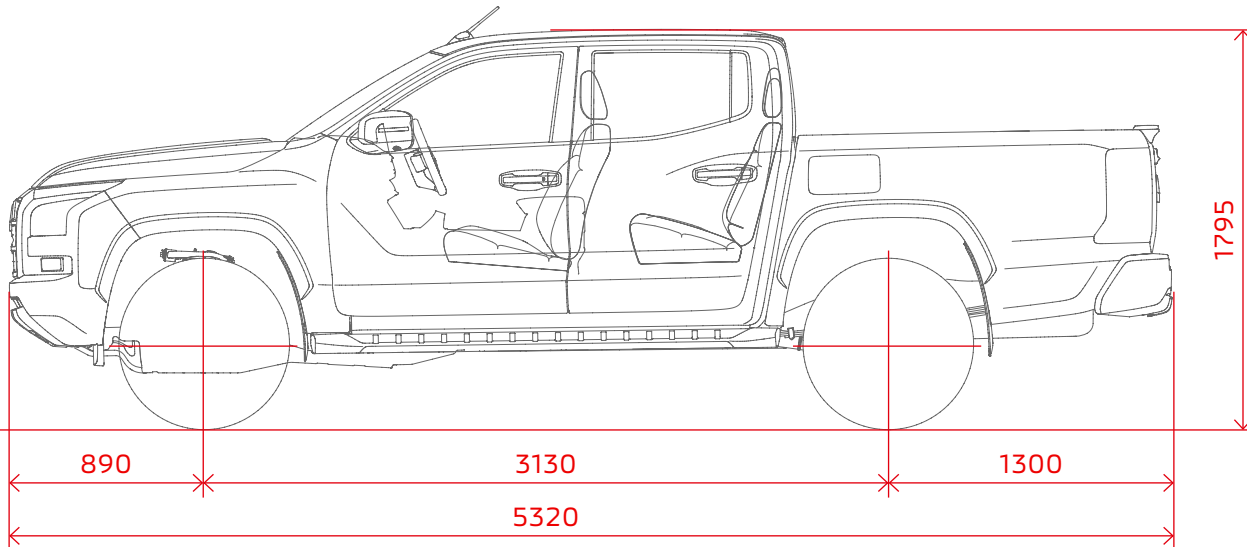
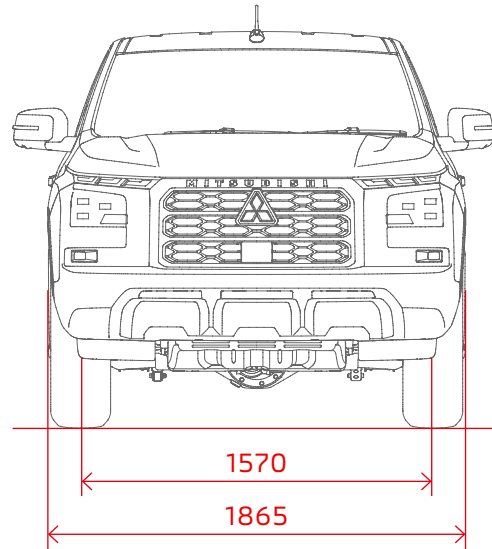
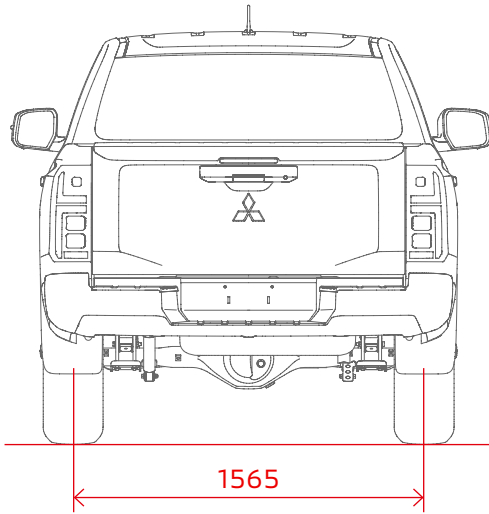


Black Leather Appointed\* with Orange Stitching



# EXTERIOR DIMENSIONS (MM)

## PICK UP



## CAB CHASSIS



Aluminum (Single Cab)



Stainless Steel (Single Cab)



Aluminum (Club Cab)



Stainless Steel (Club Cab)



Aluminum (Double Cab)



Stainless Steel (Double Cab)

## INTERNAL DIMENSIONS

Aluminium Tray - Single Cab	2400mm(L) x 1777mm(W)
Aluminium Tray - Club Cab	1950mm(L) x 1777mm(W)
Aluminium Tray - Double Cab	1650mm(L) x 1777mm(W)
Stainless Steel Tray - Single Cab	2400mm(L) x 1780mm(W)
Stainless Steel Tray - Club Cab	1950mm(L) x 1780mm(W)
Stainless Steel Tray - Single Cab	1650mm(L) x 1780mm(W)

L = Length, inside of headboard to inside of tailgate  
W = Width, inside dimension between drop sides

# DOUBLE CAB



## 2WD GLX DOUBLE CAB – PICK UP

### FEATURES:

- 2.4L Intercooled Bi-Turbo Diesel
- 6 Speed Automatic Transmission With Manual Shift Mode
- Transmission Shift Lock with Key Interlock
- 17" Steel Wheels
- Electric Power Steering
- Heavy Duty Suspension
- Auto High Beam System
- Rear Window Demisters
- Tilt And Telescopic Steering Column
- Power Door Mirrors – Black
- Power Windows
- 3 Spoke Steering Wheel
- Steering Wheel Audio Controls
- Steering Wheel Phone Controls
- Seating Capacity – 5
- Cruise Control
- Central Door Locking With Keyless Entry
- 7-inch Multi-Information Display
- Smartphone link Display Audio with 9-inch Touch Screen
- Satellite Navigation System
- AM/FM Radio
- USB Input x 2 (1 x Type A, 1 x Type C)
- Bluetooth Phone Connectivity & Audio Streaming With Voice Control
- 4 Speakers
- 12V Accessory Socket – Console
- 8 SRS Airbags
- Automatic Air Conditioning
- Vinyl Floor Covering
- Fabric Seat Trim
- Mud Flaps – Front & Rear
- Tyre Pressure Monitoring System (TPMS)
- Rear View Camera
- Front & Rear Parking Sensors
- Accessory Power Socket
- Door Pockets
- Cup Holders x 4
- Bottle Holders x 4
- Rear Body Guard
- Driver And Passenger Assist Grips
- Roof Mounted Air Circulator
- Wireless Apple CarPlay
- Android Auto
- Driver Seat Power Lumbar Adjustment

### MITEC MITSUBISHI INTUITIVE TECHNOLOGY

- Adaptive Cruise Control (ACC)
- Active Stability Control (ASC)
- Traction Control System (TCS)
- Hill Start Assist (HSA)
- Trailer Stability Assist (TSA)
- Emergency Stop Signal System (ESS)
- Forward Collision Mitigation (FCM) With Pedestrian, Cyclist Sensing & Junction Assist
- Rear Cross Traffic Alert (RCTA)
- Lane Departure Warning (LDW)
- Lane Change Alert (LCA)
- Emergency Lane Keeping (ELK)
- Blind Spot Warning (BSW)
- Blind Spot Intervention
- Traffic Sign Recognition (TSR)
- Driver Attention Alert (DAA)
- Driver Monitor System (DMS)
- Multi Around View Monitor
- Rear Automatic Emergency Braking
- Automatic Post Collision Braking
- Intelligent Speed Limiter



## 4WD GLX DOUBLE CAB – PICK UP

### INCLUDES ALL 2WD GLX DOUBLE CAB FEATURES PLUS:

- Easy Select 4WD
- Two Speed Transfer
- All Terrain Tyres



## 4WD GLX+ DOUBLE CAB – PICK UP

### INCLUDES ALL 4WD GLX DOUBLE CAB - PICK UP FEATURES PLUS:

- Rear Differential Lock
- 17" Alloy Wheels
- Side Steps
- Front Fog Lamps
- DAB
- 2nd Row USB Power Socket x 2 (1 x Type A, 1 x Type C)
- Privacy Glass
- Seat Silver Accent Stitching

COMING SOON

## CLUB CAB



## 4WD GLX+ CLUB CAB – PICK UP

### INCLUDES ALL 4WD GLX DOUBLE CAB - PICK UP FEATURES PLUS:

- 17" Silver Alloy Wheels
- Rear differential lock
- Front Fog Lamps
- Side Steps
- Privacy Glass (rear door & rear window)
- Seat Silver Accent Stitching (seat)
- Digital Audio Broadcast (DAB)
- USB Power Socket 1 x Type A & 1 x Type C



## 4WD GLX-R DOUBLE CAB – PICK UP

### INCLUDES ALL 4WD GLX+ DOUBLE CAB - PICK UP FEATURES PLUS:

- Black 18" Alloy Wheels
- Highway Terrain Tyres
- Carpet Floors
- Leather Steering Wheel
- Super Select 4WD-II
- Terrain Control – 7 Modes
- Side Steps (Removed)
- All Terrain Tyres (Removed)

### GENUINE ACCESSORIES FITTED AT FACTORY\*

- Black Sports Bar
- Tailgate Assist



## 4WD GLS DOUBLE CAB – PICK UP

### INCLUDES ALL 4WD GLX+ DOUBLE CAB - PICK UP FEATURES PLUS:

- 18" Alloy Wheels
- Gloss Black Grille
- LED Headlights
- LED Daytime Running Lights (DRL)
- Chrome Door Handles
- Fabric Seat Trim (Optional Leather Appointed†)
- Power Drivers Seat (Optional)
- Heated Front Seats (Optional)
- Door Mirrors With Power Fold Control and Integrated Turn-Indicator
- Smart Key
- One Touch Start System
- Door Trim Fabric Inserts (Optional Leather Appointed†)
- Interior Trim With Silver Accent
- Climate Control Dual Zone Air Conditioning
- 6 Speakers
- Smartphone Wireless Charger
- Electrochromic Rear View Mirror

### GENUINE ACCESSORIES FITTED AT FACTORY\*

- Tub Liner



## 4WD GSR DOUBLE CAB – PICK UP

### INCLUDES ALL 4WD GLS DOUBLE CAB - PICK UP FEATURES PLUS:

- 18" Black Alloy Wheels
- Black Door Handles
- Black Roof Rail
- Black Rear Bumper
- Embossed Body Colour Grille
- Black Wheel Arch Mouldings
- Leather Appointed† Seat Trim With Orange Accent Stitching
- Heated Front Seats
- Driver's Seat Power Adjustment
- Leather Appointed† Door Trims With Orange Accent Stitching
- Interior Trim With Dark Titanium Accents
- Cup Holders – Dash Mounted

### GENUINE ACCESSORIES FITTED AT FACTORY\*

- Black Sailplane
- Tub Liner
- Carpet Mats



## 4WD GSR SPECIAL EDITION DOUBLE CAB – PICK UP

### INCLUDES ALL 4WD GSR DOUBLE CAB – PICK UP FEATURES PLUS:

- Embossed Graphite Grey Grille
- Black Wheel Arch Mouldings (Removed)

### GENUINE ACCESSORIES FITTED AT FACTORY\*

- Black Sports Bar
- Tub Liner
- Carpet Mats



## 4WD GSR PLUS ROLL TOP ACCESSORY PACK

### INCLUDES ALL 4WD GSR DOUBLE CAB – PICK UP FEATURES PLUS:

- Electric or Manual Roll top Tonneau Cover
- Tow Bar Kit\*
- Electric Trailer Brake Controller and Harness
- Dust & Water Defence Kit
- Cargo Tie Down
- Black Grille Emblem

\*Leather appointed seats are a combination of genuine and artificial leather, and are not wholly leather. †The kit includes a Tow Bar, Tongue, Wiring Harness, 7-pin flat plug, Towball, Towball Cover and Storage Bag. #Genuine Accessories fitted at factory are MITSUBISHI MOTORS Genuine Accessories. These accessories are not covered by the vehicle warranty, however they are covered by Mitsubishi's Genuine Accessories warranty and are subject to the terms and conditions of this warranty. For warranty conditions regarding Genuine Accessories, please refer to MITSUBISHI MOTORS website or see your local dealer.

COMING SOON

# SINGLE CAB

COMING SOON

# CLUB CAB

HAS ARRIVED

# DOUBLE CAB



## 2WD GLX SINGLE CAB – CAB CHASSIS

### FEATURES:

- 2.4 Bi-Turbo engine
- Engine Auto Stop & Go System
- 17" steel wheels
- Halogen Datime Running Lamps (DRL)
- Black Grille
- Black Door Handles
- Black Door Mirrors
- Side Door Garnish
- Cloth Seat Trim
- Driver Seat Lumbar Support
- 8 Airbags w/Driver Knee & Ctr Airbag
- Vinyl Floor Covering
- Rear view camera
- Front & Rear parking sensors
- Rain Sensing Wipers
- Dusk Sensing headlamps
- Auto High Beam (AHB)
- Tyre Pressure Monitoring System
- 7" Multi information display
- Embedded Sat Nav
- Wireless Apple Carplay
- Android Auto
- 1 x USB-A and 1 x USB-C (Front)

### MITEC MITSUBISHI INTUITIVE TECHNOLOGY

- FCM with Pedestrian & Cyclist detection
- Front\* & Rear Cross Traffic Alert
- Automatic Post-Collision Braking
- Adaptive Cruise Control (ACC)
- Emergency Lane Assist (ELA)
- Lane Departure Warning (LDW)
- Lane Change Assist (LCA)
- Blind Spot Warning (BSW)
- Intelligent Speed Limiter (ISL)
- Traffic Sign Recognition (TSR)
- Driver Monitor System (DMS)
- Driver Attention Alert (DAA)
- Active Stability Control (ASC)
- Active Traction Control (ATC)
- Hill Start Assist (HAS)
- Trailer Stability Assist (TSA)

## 4WD GLX SINGLE CAB – CAB CHASSIS

### INCLUDES ALL 2WD GLX SINGLE CAB – CAB CHASSIS FEATURES PLUS:

- Easy Select 4WD
- All Terrain Tyres
- Metal Engine Undercover

## 4WD GLX CLUB CAB – CAB CHASSIS

### FEATURES:

- 2.4 Bi-Turbo engine
- Engine Auto Stop & Go System
- 17" steel wheels
- Easy Select 4WD
- Daytime Running Lamps (DRL)
- Black Grille
- Black Door Handles
- Black Door Mirrors
- Side Door Garnish
- Cloth Seat Trim
- Driver Seat Lumbar Support
- 8 Airbags w/Driver Knee & Ctr Airbag
- Automatic Air Conditioning
- Vinyl Floor Covering
- Rear view camera
- Front & Rear parking sensors
- Rain Sensing Wipers
- Dusk Sensing headlamps
- Auto High Beam (AHB)
- Tyre Pressure Monitoring System
- 7" Multi information display
- 4 Speakers
- Embedded Sat Nav
- Wireless Apple Carplay
- Android Auto

### MITEC MITSUBISHI INTUITIVE TECHNOLOGY

- FCM with Pedestrian & Cyclist detection
- Front\* & Rear Cross Traffic Alert
- Automatic Post-Collision Braking
- Adaptive Cruise Control (ACC)
- Emergency Lane Assist (ELA)
- Lane Departure Warning (LDW)
- Lane Change Assist (LCA)
- Blind Spot Warning (BSW)
- Intelligent Speed Limiter (ISL)
- Traffic Sign Recognition (TSR)
- Driver Monitor System (DMS)
- Driver Attention Alert (DAA)
- Active Stability Control (ASC)
- Active Traction Control (ATC)
- Hill Start Assist (HAS)
- Trailer Stability Assist (TSA)

## 4WD GLX DOUBLE CAB – CAB CHASSIS

### FEATURES:

- 2.4 Bi-Turbo engine
- Engine Auto Stop & Go System
- 17" steel wheels
- Easy Select 4WD
- Daytime Running Lamps (DRL)
- Black Grille
- Black Door Handles
- Black Door Mirrors
- Side Door Garnish
- Cloth Seat Trim
- Driver Seat Lumbar Support
- 8 Airbags w/Driver Knee & Ctr Airbag
- Automatic Air Conditioning
- Vinyl Floor Covering
- Rear view camera
- Front & Rear parking sensors
- Rain Sensing Wipers
- Dusk Sensing headlamps
- Auto High Beam (AHB)
- Tyre Pressure Monitoring System
- 7" Multi information display
- 4 Speakers
- Embedded Sat Nav
- Wireless Apple Carplay
- Android Auto

### MITEC MITSUBISHI INTUITIVE TECHNOLOGY

- FCM with Pedestrian & Cyclist detection
- Front\* & Rear Cross Traffic Alert
- Automatic Post-Collision Braking
- Adaptive Cruise Control (ACC)
- Emergency Lane Assist (ELA)
- Lane Departure Warning (LDW)
- Lane Change Assist (LCA)
- Blind Spot Warning (BSW)
- Intelligent Speed Limiter (ISL)
- Traffic Sign Recognition (TSR)
- Driver Monitor System (DMS)
- Driver Attention Alert (DAA)
- Active Stability Control (ASC)
- Active Traction Control (ATC)
- Hill Start Assist (HAS)
- Trailer Stability Assist (TSA)

## 4WD GLX+ DOUBLE CAB – CAB CHASSIS

### INCLUDES ALL 4WD GLX DOUBLE CAB – CAB CHASSIS FEATURES PLUS:

- 17" Silver Alloy Wheels
- Rear differential lock
- Front Fog Lamps
- Side Steps
- Privacy glass (rear door & rear window)
- Silver Accent Stitch (seat)
- Digital Audio Broadcast (DAB)
- 2 x USB-A and 2 x USB-C (Front & Rear)

## 4WD GLS DOUBLE CAB – CAB CHASSIS

### INCLUDES ALL 4WD GLX+ DOUBLE CAB – CAB CHASSIS FEATURES PLUS:

- 18" Dark Grey Alloy Wheels
- Super Select II 4WD
- Terrain Control with 7 Drive Modes
- LED headlamps
- LED side turn, rear and fog lamps
- LED Daytime Running Lamps (DRL)
- Unique Black Grille
- Chrome Dynamic Shield
- Chrome Door Handles & Mirrors
- Power folding door mirrors
- Keyless Entry – Smart Key
- One Touch Start – Smart Key
- Vanity Mirror with Lid and Ticketholder
- Dual Zone Auto Air-conditioning
- 6 speakers
- Smartphone wireless charger



## 4WD GSR DOUBLE CAB – CAB CHASSIS

### INCLUDES ALL 4WD GLS DOUBLE CAB – CAB CHASSIS FEATURES PLUS:

- 18" Black Alloy Wheels
- Body Colour Grille
- Black Dynamic Shield
- Black Door Handles & Mirrors
- Black Fender Flares
- Black Roof Rails
- Side Steps Dark Titanium Accent
- Interior Trim Dark Titanium Accent
- Black Headlining
- Black Leather Appointed Seats
- Black Synthetic Leather Door Trim Panels
- Interior Trim Orange Accent Stitching
- Power Driver Seat Adjustment
- Heated Front Seats (Cushion & Back)
- Dash Mounted cup holders x 2

<sup>1</sup>Leather appointed seats are a combination of genuine and artificial leather, and are not wholly leather. <sup>2</sup>The kit includes a Tow Bar, Tongue, Wiring Harness, 7-pin flat plug, Towball, Towball Cover and Storage Bag. <sup>3</sup>Genuine Accessories fitted at factory are MITSUBISHI MOTORS Genuine Accessories. These accessories are not covered by the vehicle warranty, however they are covered by Mitsubishi's Genuine Accessories warranty and are subject to the terms and conditions of this warranty. For warranty conditions regarding Genuine Accessories, please refer to MITSUBISHI MOTORS website or see your local dealer.

# STRONGER. STURDIER. TOUGHER.

## Why Genuine Accessories?

Each and every one goes through an extensive program of design, development and stringent testing to ensure they meet all applicable government standards as well as Mitsubishi's own rigorous engineering specifications and performance targets. Engineered and tested to be safe and durable and covered by up to 10 years warranty through extended new car warranty\* when all scheduled services are completed at a Mitsubishi Motors Dealership.



MITSUBISHI  
**DIAMOND**  
**ADVANTAGE**  
GENUINE ACCESSORIES

NOT GENUINE? DON'T RISK IT.

# ACCESSORY PACKS

## TERRAIN PACK

Suits GLS, GLX+ and GLX



GLS model shown.

The Terrain Pack for the Triton ensures you have high quality, reliable accessories suitable for any adventure.

### ACCESSORIES IN PACK:



Front Protection Bar (Steel)  
- Winch compatible



Side Protection Bar



Rear Protection Bar – requires  
fitment of genuine Tow Bar



Tow Bar, Tongue, Ball, Wiring  
Harness, 7 Pin Plug, Ball Cover,  
Storage Bag

## SPORTS PACK

Suits GLS and GLX+



GLS model shown.

Whether you're hitting the city or heading off-road, the Sports Pack is a perfect fit for the Triton. Mitsubishi Genuine Accessories elevate the style and toughness of your Triton.

### ACCESSORIES IN PACK:



Soft Tonneau Cover



Sports Bar (Black)



Under Ride Protection



Weathershields



Grille Emblem (Black)

## ACCESSORY PACKS

# ROLL TOP PACK

Suits GLX/GLX+/GLX-R/GLS/GSR/GSR SPECIAL EDITION



GSR model shown.

## ACCESSORIES IN PACK:



Grille Emblem (Black)



Cargo Tie Down



Dust & Water Defence Kit



Electric or Manual<sup>1</sup> Roll Top Tonneau Cover



Electric Trailer Brake Kit



Tow Bar, Tongue, Ball, Wiring Harness, 7 Pin Plug, Ball Cover, Storage Bag

The Roll Top Tonneau Pack for the Triton turbocharges your vehicle functionality. With everything from a full Tow Bar package to Cargo Tie Down Kit, you're equipped for work and play.

When pack fitted to GLX-R or GSR Special Edition the standard sports bar will be removed. <sup>1</sup>Manual Roll Top Tonneau only available on GSR models. Electric Roll Top Tonneau available on GLX+/GLX-R/GLS/GSR/GSR Special Edition models

# EXTERIOR & INTERIOR



Front Protection Bar (Steel) - Winch compatible



Front Protection Bar (Alloy) - Winch compatible



Winch Cradle - Closed



Winch Cradle - Open



Nudge Bar (Black)



Nudge Bar (Polished)



Driving Lamps - including Harness - Suits FPB or Nudge Bar



Headlight Protectors (suits models with LED headlamps only)



Bonnet Protector (Clear)



Bonnet Protector (Tinted)



Bonnet Protector (Matte)



Weathershields



Grille Emblem (Chrome)



Grille Emblem (Black)



Snorkel



Under Ride Protection



Fender Flares - not compatible with Front Protection Bar



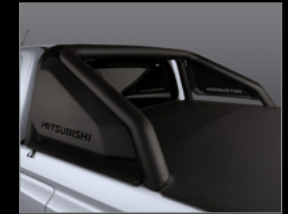
Rear Protection Bar - requires fitment of genuine Tow Bar



Side Protection Bar



Sailplane (Black)



Sports Bar (Black)



Sports Bar (Polished)



Rubber Floor Mats with High Edge



Rubber Floor Mats with Low Edge



Carpet Floor Mats



Carpet Floor Mats with Triton logo

\*When Genuine Accessories are fitted by a Mitsubishi Motors Dealer prior to the owner/operator taking delivery of the vehicle, they are covered by the Standard New Car Warranty of 5 years or 100,000 km (whichever occurs first), except where items are expressly excluded or for which a separate warranty applies. Or, if the vehicle is eligible for the Extended New Car Warranty and all scheduled services have been completed by a Mitsubishi Motors Dealership, Genuine Accessories will be covered up to 10 years or 200,000km (whichever occurs first), except where items are expressly excluded or for which a separate warranty applies. When Genuine Accessories are fitted by a Mitsubishi Motors Dealer after the owner/operator has taken delivery of the new vehicle, they are warranted for whichever is the greater of the following: 12 months or 20,000km (whichever occurs first), or the balance of the Standard New Car Warranty of 5 years or 100,000km (whichever occurs first). Or, if the vehicle is eligible for the Extended New Car Warranty and all scheduled services have been completed by a Mitsubishi Motors Dealership, Genuine Accessories will be covered up to 10 years or 200,000km (whichever occurs first), except where items are expressly excluded or for which a separate warranty applies. If not fitted by a Mitsubishi Dealer, Genuine Accessories are covered for 12 months or 20,000km (whichever occurs first). For warranty conditions regarding Genuine Accessories, please refer to Mitsubishi Motors website [www.mitsubishi-motors.com.au/owners/accessories](http://www.mitsubishi-motors.com.au/owners/accessories) or speak with your Mitsubishi Dealership.

# CARGO & TOWING



Canopy Lift/Lift Windows (Body Colour) - Closed



Canopy Lift/Lift Windows (Body Colour) - Open



Two Tone Canopy Lift/Lift Windows (Body Colour/Jet Black) - Closed



Two Tone Canopy Lift/Lift Windows (Body Colour/Jet Black) - Open



Canopy Sliding Window - Left or Right Hand Side



Roof Rack Cross Bars - Double Cab with Roof Rails



Roof Rack Cross Bars - Double Cab without Roof Rails



Soft Tonneau Cover



Soft Tonneau Cover - suits Header Bar



Soft Tonneau Cover - with Sports Bar



Hard Tonneau Cover (Body Colour) - Closed



Aluminium Hard Tonneau Cover (Black) - Closed



Manual Roll Top Tonneau Cover suits Sailplane



Electric Roll Top Tonneau Cover



Electric Roll Top Tonneau - with Sailplane - Closed



Dust & Water Defence Kit



Tailgate Assistance Kit



Rubber Tub Mat



Under Rail Tub Liner



Cargo Tie Down



Tow Bar, Tongue, Ball, Wiring Harness, 7 Pin Plug, Ball Cover, Storage Bag



Tow Ball, Tow Ball Cover and Storage Bag



Electric Trailer Brake Kit



Aluminium Tray - Single Cab



Aluminium Tray - Club Cab



Aluminium Tray - Double Cab



Steel Tray - Single Cab



Steel Tray - Club Cab



Steel Tray - Double Cab



Rear Rack Tube



Window Protector



Tail Light Protector & Wiring Guard



Slide-out Step Ladder



Tool Box - RHS





## COLOUR



White\*



Blade Silver\* (M)



Graphite Grey (M)



Red\*\*



Impulse Blue\*\* (M)



Black Mica# (P)



White Diamond\*\* (X)



Yamabuki Orange\* (X)



White Diamond\*\* (X)



Graphite Grey (M)



Black Mica\* (P)

(X) Prestige  
(M) Metallic  
(P) Pearlescent

\*Not available on GSR

\*\*Not available on GLX

\*Not available on GLX+ or GLX-R

+Available on GSR only

## UPHOLSTERY



GLX Black Fabric



GLX+, GLX-R, GLS Black Fabric Silver Stitching



GLS (Optional) Black Leather Appointed\* with Silver Stitching.  
GSR Black Leather Appointed\* with Orange Stitching

## AUSTRALIA'S FIRST

**10**  
**YEARS**  
NEW CAR  
WARRANTY

**10**  
**YEARS**  
CAPPED PRICE  
SERVICING

MITSUBISHI  
**DIAMOND**  
**ADVANTAGE**

WHEN ALL SCHEDULED SERVICES ARE COMPLETED  
AT A MITSUBISHI DEALERSHIP

All Mitsubishi Motors vehicles come with the Mitsubishi Diamond Advantage# – 10 Years Warranty\* and 10 Years Capped Price Servicing^ and Roadside Assistance so that no matter where the road takes you, we will be there with you. Ask your Dealer or visit [mitsubishi-motors.com.au](http://mitsubishi-motors.com.au) to find out more.

\*Leather appointed seats are a combination of genuine and artificial leather, and are not wholly leather. #Conditions apply. Excludes Government, Rental and National Business customers. See Mitsubishi-motors.com.au for further details. \*10 Year/200,000km New Car Warranty (whichever occurs first and when all scheduled services are completed at a Mitsubishi Dealership). ^10 Year/150,000km Capped Price Servicing (whichever occurs first). Includes the first 10 regular services (at 15,000km/12 month scheduled intervals). Some items excluded or subject to separate warranty. Any non-regular service/repair items are at an additional cost. Servicing must be completed by a Mitsubishi Dealer within 7,500kms or 6 months of the service due date. Valid from date of vehicle registration. Always consult your authorised Mitsubishi Dealer for the latest details, options, availability and conditions on New Vehicle warranty. All product illustration and specifications referred to herein are believed to be correct at the time of publication approval. Subject to any applicable Federal, State or Territory Laws or ordinances, which may apply from time to time. Mitsubishi Motors Australia Limited reserves the right, without notice, or obligation, to discontinue or make changes to designs, specifications, colours and material of the options and products referred herein at any time without incurring any liability to any purchase thereof. Mitsubishi Motors Australia Limited. ABN 53 007 870 395 ©Mitsubishi Motors Australia Limited. ABN 53 007 870 395. MIT0237



**BOOK A TEST DRIVE**



**BUILD AND PRICE**