



**MITSUBISHI
MOTORS**

Drive your Ambition



TRITON

POWER FOR ADVENTURE



NOTHING CAN FRIGHTEN A TRITON

Since 1917, Mitsubishi Motors has been at the forefront of technological innovations. Having launched the inventive Super Select 4WD-II system and the world's first Plug-in-hybrid electric SUV, our vehicles have been tested and triumphant on some of the world's toughest terrains including the Dakar Rally. These engineering milestones, together with our commitment to reliability and ingenuity, sets us apart. As we continue to move forward, pushing the boundaries of innovations, you can rest assured your Mitsubishi has been built for your next adventure.



ASX



Eclipse Cross &
Eclipse Cross
Plug-in Hybrid



Outlander &
Outlander
Plug-In Hybrid



Pajero Sport



Triton

THE FREEDOM TO EXPLORE

Go big and go anywhere. The Mitsubishi Triton Pick Up and Triton Cab Chassis are ready for adventure, with more powerful performance both on and off-road.

With stronger towing muscle, and larger dimensions all-round this is a ute that isn't frightened of any challenge – from the roughest worksite to the wildest escape.



TAKE CONTROL IN THE TOUGHEST TERRAIN

The advanced driving technology of the Mitsubishi Triton will take you places you never thought possible. Hill Start Assist (HSA) prevents you rolling backwards on steep or uneven surfaces by maintaining braking force on any terrain, whilst Hill Descent Control (HDC)* intelligently manages your speed down steep hills for safer steering and braking control. This makes Triton the perfect fusion of next-generation technology and rugged Australian toughness.



*GLX-R, GLS and GSR models only. GSR models shown with standard accessories: Black Sailplane and Tub Liner.

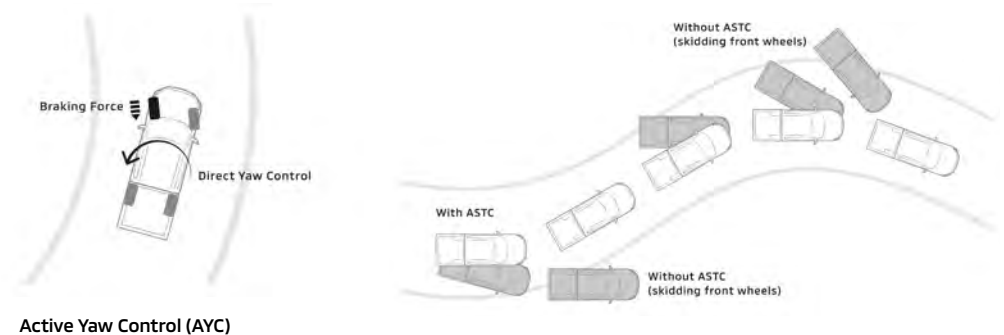
TOTAL CONFIDENCE FROM TOTAL CONTROL



Triton lets you push the limits of action and adventure on or off-road – all whilst keeping everything under total control. All models feature Active Stability and Active Traction Control for excellent cornering on any surface, and an active Limited Slip Differential helps prevent wheel spin on even the most treacherous off-road situations.

Plus, Triton GSR, GLS and GLX-R models feature Active Yaw Control for precision handling on gravel surfaces or snowy roads. It's the complete package, ready to pave the way to any adventure.

GSR model shown with genuine accessories.



TOW MORE, ENJOY MORE, RELAX MORE



Great towing starts with great muscle. Triton's hardworking 2.4-litre Bi-Turbo diesel engine features 'twin-stage' turbo charging for maximum grunt of 150kW power and 470Nm torque at a lower rev range than ever before. And, with strengthened chassis frame and suspension, Triton now has a massive 3,500 kg towing capacity in both the rugged pick up and versatile cab chassis.

Triton's towing ability is further enhanced with Trailer Stability Assist which helps prevent 'trailer sway' by controlling individual wheel slip to settle the trailer when it detects the trailer starting to oscillate at speed. Other road users are also alerted with flashing brake lights on both Triton and trailer.

DISCOVER ADVENTURE ON ANY ROAD

Competition-proven in punishing off-road rallies around the world, then rigorously tested and tuned in Australia, the Triton will take you to the edge of the earth and safely back. The GLX-R, GLS and GSR Super Select 4WD-II models feature seven unique terrain modes: Normal mode, ECO mode, Gravel mode, Snow mode, Mud mode, Sand mode and Rock mode. So, no matter the driving conditions, you have the precise traction to conquer the most challenging terrain.

The 26MY Triton GSR Pick-Up models are now equipped with YAMAHA Performance Dampers. Two YAMAHA Performance Dampers are fitted horizontally across the chassis, across the front and rear respectively.

The YAMAHA Performance Dampers improve body control and steering response, enhancing straight-line stability while reducing NVH. High-speed stability and smooth, confident cornering with excellent road grip are delivered. Unwanted vibrations are reduced for a quieter, more refined cabin, providing a smoother and less fatiguing drive—even on long journeys or rough roads.



GSR model shown with genuine accessories.

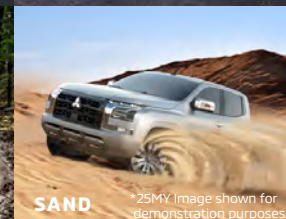


Super Select 4WD-II

Triton GLX-R, GLS and GSR models feature Mitsubishi's proven Super Select 4WD-II system. This gives you exceptional all-terrain performance with four selectable modes, including 4H (full-time 4WD). Using the drive selector dial you can switch between 2WD (2H) and 4WD (4H, 4HLC) with shift-on-fly convenience at up to 100km/h.

 2H 2WD	 4H Full-time 4WD
 4HLC Centre Diff Locked 4WD	 4LLC Low Gear Centre Diff Locked 4WD

7 DRIVE MODE



*25MY Image shown for demonstration purposes.

THE ULTIMATE WORKHORSE



Double CAB

Big and practical cargo space

With enough room to fit a 1200x800mm Euro pallet, the versatile cargo bed, in pick up models, can easily carry all your workday tools and equipment or weekend adventure essentials.



Wide Side-Step

Play it safe getting in and out with slip-resistant side-steps, even in wet or slippery conditions.

Rear Bumper Corner Shape

When loading and unloading gear when the tailgate is open, the rear bumper corner step provides the largest foot-space in the category for added ease and safety.



Large cargo area

Triton's large cargo area enables you to pack in everything you need for worksite or family adventure.

Rear Inner Hooks

Low-placed rear inner hooks are conveniently located for secure tie-down of loads.



READY MADE FOR THE TOUGHEST TRADES

In a Mitsubishi Triton you can take on whatever the workday serves up. Engineered to deliver power and performance, with the latest safety technology for peace of mind, these utes are the toughest tools of the trade. Triton's tough, dependable design and engine muscle comes in 4x2 and 4x4 Single Cab, Club Cab and Double Cab body styles, so it's right at home on any jobsite.



Double Cab - Cab Chassis GLX model shown



Double Cab Pick Up GSR model shown*



Club Cab Pick Up GLX+ model shown

*Model Shown. GSR plus Roll Top Accessory pack with optional accessories.

BUILT TO GO ANYWHERE



New Chassis Frame

Mitsubishi's chassis frames are rigorously tested and proven in the harshest terrains. Built with high-tensile materials, it is designed to withstand the toughest terrain and ensure reliable performance in any condition. This rigid frame is the foundation upon which Triton's outstanding on/off-road performance and ride comfort is engineered.



Redesigned Suspension System

Both front and rear suspension systems are completely redesigned for next level performance, comfort, and handling both on and off-road.





MITSUBISHI CONNECT

New to the 26MY Triton GSR, MITSUBISHI CONNECT is a technology platform that seamlessly connects users to their vehicle. It introduces improved convenience, safety and security features, designed to elevate your driving experience.

MITSUBISHI CONNECT is comprised of an embedded Telematics Control Unit equipped with a 4G LTE cellular modem with GPS capability. Capabilities include an SOS Emergency Assistance button for use in the event of an emergency and a 'Call MITSUBISHI MOTORS Assistance' button used in the event of a breakdown, or to make enquiries about your MITSUBISHI CONNECT account.

MITSUBISHI CONNECT's Safety and Security Services are available 24 hours a day, 7 days a week. You can also access the My MITSUBISHI CONNECT remote services at any time from your mobile device via the My MITSUBISHI CONNECT Mobile Application downloadable through the App store or Google Play on a compatible Apple or Android device.

MITSUBISHI CONNECT provides services from both inside and outside the vehicle, enhancing safety, security and convenience for the user everywhere.

TECHNOLOGY AT YOUR FINGERTIPS

EMPOWERS ANY JOURNEY

Triton's interior is designed to deliver a pleasurable driving experience. Ergonomically designed for long trip comfort and packed with cutting edge technology, this is an environment that is perfect for work, play or family – around the block or around the country.

Charging within reach

Stay connected with 2-USB ports (Type A and C) at the front and 2-USB power ports (Type A and C) at the back of the console, excluding GLX models, so your devices can remain charged at all times.

Multi-Information Meter

The new 7-inch multi-information display features 'at a glance' recognition and clarity – giving you all the vehicle's vital data and performance information for a more engaging drive.



GSR Interior shown.



SPACE TO SHARE AND ENJOY

With new, ergonomically supportive seats and increased cabin space, on or off-road trips offer a level of comfort that is more car-like than utility.



GSR interior shown.

Next level air conditioning

Nothing is as important in the Australian environment than awesome air-conditioning and the Triton has a powerful system to keep everyone cool even on sweltering days. Double Cab 4WD models feature a rear roof mounted adjustable air circulator, so every passenger is kept in complete comfort.





Single Cab - Cab Chassis GLX model shown^



Double Cab - Cab Chassis GLX model shown^



Club Cab - Cab Chassis GLX model shown^

MADE FOR THE TOUGHEST TASKS

Triton Cab Chassis is built for worksite flexibility. Conquer any worksite challenge thanks to a customisable tray for specialist jobs, paired with a Bi-Turbo Engine for Triton's most powerful on and off-road performance ever.

With heavy-duty rear suspension* for bulky loads, plus proven off-road technology for rugged terrain, this 4x4 or 4x2 is geared up for the toughest jobs and roughest adventures.

*Excludes GLS & GSR models. ^Models shown are fitted with genuine accessories.

WHATEVER THE JOB CONSIDER IT DONE

Triton Double Cab Chassis models have everything you want in a tough, reliable ute. Whether it's the industrious GLX, GLX+, or the adventurous GLS and GSR, Triton's range of 4x2 and 4x4 Double Cab models makes choosing the toughest job of all.

Triton Cab Chassis is secured with the latest features to keep you and your crew safe on the road, including Forward Collision Mitigation, Rear Cross Traffic Alert and Tyre Pressure Monitoring system. Plus, improve your visibility without impacting other drivers with Auto High Beam in foggy or misty conditions. Rain, hail or shine, Triton Cab Chassis is ready to get to work, and get you home.



Double Cab Chassis GLX model shown with optional accessories.



Single Cab Chassis GLX model shown with optional accessories.

Make light work of heavy loads

You can have your Triton Cab Chassis both designed and built to fit your Triton perfectly. Mitsubishi Genuine Steel Trays are available in durable galvanised finish or optional body colour paint, while the Genuine Alloy Tray is lightweight and corrosion resistant. Both offer a generous load capacity, the ability to load from either side, plus a range of accessories.

PEACE OF MIND WITH ADVANCED SAFETY FEATURES

Mitsubishi Motors Intuitive Technology or MITEC, is an integrated system of brilliant innovations in action, working in unison to guide, protect and alert. It thinks like you, reacts like you, before you even know it. MITEC delivers reassuring safety and next

generation features to give you peace of mind during every adventure and ensuring a safe return home. These significant features have earned Triton maximum ANCAP safety rating of 5 Stars, so you can rest assured you're driving one of the safest utes on the road.



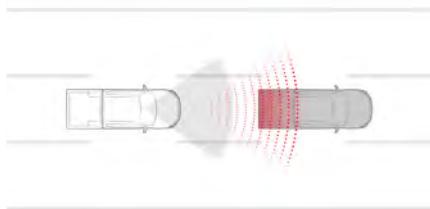
TESTED
2024



*Five-star rating is only applicable to all Triton Dual-Cab Pick Up model grades, across 4 x 2 and 4 x 4 drivetrains tested to the 2024 ANCAP Protocols.

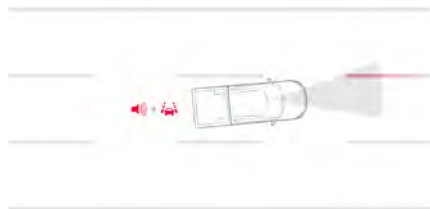


RETOUCHING REQUIRED



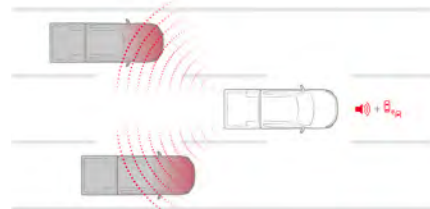
Adaptive Cruise Control (ACC)[^]

Adaptive Cruise Control uses radar technology to detect any cars in the same lane and adjusts the speed of your car accordingly while maintaining a safe distance set by you.



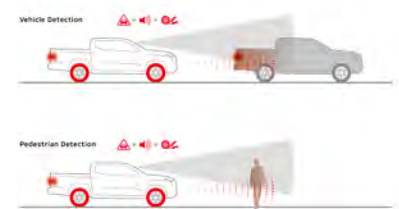
Lane Departure Warning (LDW)

Lane Departure Warning uses front camera to issue an alert if the vehicle drifts from its lane while the turn signals are not operating. The system operates at speeds above 60km/h and will vibrate the steering wheel and flash lane departure warning light.



Blind Spot Warning (BSW)

Blind Spot Warning uses the rear radar sensors to detect another vehicle travelling or overtaking in the next lane behind. The system operates at speeds above 10km/h and will illuminate the BSW warning light in the corresponding side mirror when a vehicle is in the detection zone. If driver activates the turn signal towards the corresponding hazard, the BSW lamp will blink, and audible alert will sound twice.



Forward Collision Mitigation (FCM)

Forward Collision Mitigation system with pedestrian detection, cyclist detection and junction assist detects obstructions ahead and issues a visual and audible alert when there is a danger of collision and automatically applies the brakes to avoid collision or reduce impact speed/severity.

[^]Auto models only. Overseas model shown.

Driver Attention Alert (DAA)

Driver Attention Alert (DAA) monitors the driver's steering behaviour to alert for potential driver distraction or drowsiness at speeds over 60km/h. Audible and visual warnings are signaled to the driver suggesting "take a break".

Rear Cross Traffic Alert (RCTA)

The Rear Cross Traffic Alert detects a moving object when reversing, a warning message appears on the multi-information display. The system operates when the vehicle is in reverse at speeds below 8km/h. It can detect moving objects from approx. 20m away, alerting the driver via an audible chime and blinking BSW warning light in side mirror.

Front Cross Traffic Alert (FCTA)*

Front Cross Traffic Alert system uses the front side radar sensors to detect another vehicle approaching when entering an intersection. It can detect an approaching vehicle from approx. 20m away, alerting the driver via an audible chime and blinking light in the multi-information meter*.

*No Cost Option that can be enabled by the dealership. Not compatible with Front Protection Bar (FPB) Genuine Accessory.

Intelligent Speed Limiter (ISL)

The ISL prompts the driver to reset the vehicle's upper speed limit to the newly detected speed limit. If there are no speed limit signs on the road, the speed limit data from the navigation system is used. These systems help prevent inadvertent speeding and support safe driving.

Tyre Pressure Monitor System (TPMS)

TPMS monitors tyre pressure and detects low pressure early for safe and fuel-efficient driving. It will display the current pressure of each tyre with low pressure warning if the tyre pressure is less than the user set target tyre pressure.

Hill Descent Control (HDC)

Pressing the HDC mode selector activates the HDC, which automatically maintains the driver's selected speed while traveling downhill. This lets the driver concentrate on steering for a safer driving experience without having to manually apply the brakes. HDC can be activated and set at any speed between 2 and 20km/h.

Hill Start Assist (HSA)

Steep hills and city streets are no longer a problem with Mitsubishi's Hill Start Assist technology. Hill Start Assist automatically keeps the brakes applied to help prevent the vehicle from rolling backwards, before automatically releasing the brakes in the time it takes for the driver to apply the accelerator when the vehicle is stopped on a hill.

Multi Around View Monitor[^]

Multi Around Monitor provides a 360° birds-eye view of your Triton. The view from cameras mounted on the front, rear and sides of the vehicle (including birds-eye view) can be displayed in various combinations to reveal what is in your blind spots and help you park more safely.

Rear Automatic Emergency Braking[^]

Rear Automatic Emergency Braking system detects obstructions behind the vehicle and warns via visual and audio alerts when there is a risk of collision. It automatically applies brakes to avoid or reduce the impact. Rear-AEB is automatically disengaged when a trailer is hitched to the Triton when using Mitsubishi Genuine towing accessories.

Traffic Sign Recognition (TSR)

The Traffic Sign Recognition (TSR) system recognises speed limit signs via a front windscreen-mounted camera or navigation system data, which is displayed on the Multi-Information Display. TSR alerts the driver with a visual alert if the vehicle exceeds the speed limit.

Automatic High Beam

Auto High Beam provides comfortable and safe night time driving. The system automatically switches the headlights between low and high beam if it detects a vehicle ahead, allowing the driver to keep both hands on the steering wheel.

Lane Departure Prevention (LDP) with Emergency Lane Assist (ELA)

Emergency Lane Assist uses the front camera to detect the road edge and lane markings, and front radar to detect vehicles approaching from the front, while simultaneously using the rear side radar sensors to detect vehicles approaching from the rear. The system operates at speeds above 60km/h and will vibrate the steering wheel and flash the lane departure warning light when activated. The vehicle will also apply the brakes on one side to help return the vehicle to the centre of the travelling lane.

Driver Monitor System (DMS)

The Driver Monitoring System uses a steering column-mounted camera to monitor the driver's face and detect a potential lack of driver attention or drowsiness. When detected, the system can respond with an audio prompt or visual alert which appears on the meter display. If the system detects distraction, the Forward Collision Mitigation (FCM) operates earlier than usual. If the system detects fatigue (Drowsiness, Micro-sleep, Sleep), FCM and Lane Departure Warning operate earlier than usual.

Blind Spot Warning & Lane Change Assist

Blind spot Warning uses the rear side radar sensors to detect another vehicle travelling or overtaking in the next lane behind. The system operates at speeds above 10km/h, and will illuminate the BSW warning light in the corresponding side mirror when a vehicle is in the detection zone. If driver activates the turn signal towards the corresponding hazard, the BSW lamp will blink and audible alert will sound twice.

KEY SPECIFICATIONS AND FEATURES

KEY	■ Standard														
	□ Optional														
	- Not available														
		2WD				4WD									
		GLX Single Cab Cab Chassis	GLX Double Cab Pick-Up	GLX Single Cab Cab Chassis	GLX Club Cab Cab Chassis	GLX+ Club Cab Pick-Up	GLX Double Cab Cab Chassis	GLX Double Cab Pick-Up	GLX+ Double Cab Cab Chassis	GLX+ Double Cab Pick-Up	GLX-R Double Cab Pick-Up	GLS Double Cab Cab Chassis	GLS Double Cab Pick-Up*	GSR Double Cab Cab Chassis	GSR Double Cab Pick-Up*
		Auto	Auto	Auto	Auto	Auto	Man/Auto	Auto	Auto	Auto	Auto	Auto	Auto	Auto	Auto
Engine															
Type	2.4L 4N16 Bi-Turbo Diesel			2.4L 4N16 Bi-Turbo Diesel			2.4L 4N16 Bi-Turbo Diesel								
Size (L)	2.4			2.4			2.4								
Displacement (cc)	2442			2442			2442								
Bore x Stroke (mm)	86.0 x 105.1			86.0 x 105.1			86.0 x 105.1								
Maximum Power (kW@rpm)	150@3500			150@3500			150@3500								
Maximum Torque (Nm@rpm)	470@1500-2750			470@1500-2750			470@1500-2750								
Fuel Type	Diesel			Diesel			Diesel								
Engine Auto Stop & Go	■	■	■	■	■	■ (auto)	■								
Fuel consumption (ADR 81/02per 100km)*	7.6	7.5	7.7	7.7	7.7	7.6/7.7	7.7								
CO2 - g/km	199	197	202	203	203	200/203	203								
Fuel tank capacity (L)	75			75			75								
AdBlue tank capacity (L)	17			17			17								
Transmission															
Type	Auto			Auto	Auto	Auto	Manual / Auto	Auto	Auto	Auto	Auto	Auto	Auto	Auto	Auto
Number of speeds	6			6	6	6	6	6	6	6	6	6	6	6	6
Manual shift mode	■			■	■	■	■ (auto)	■	■	■	■	■	■	■	■
Gear ratio 1st	3.600			3.600	3.600	3.600	4.692 / 3.600	3.600	3.600	3.600	3.600	3.600	3.600	3.600	3.600
2nd	2.090			2.090	2.090	2.090	2.482 / 2.090	2.090	2.090	2.090	2.090	2.090	2.090	2.090	2.090
3rd	1.488			1.488	1.488	1.488	1.474 / 1.488	1.488	1.488	1.488	1.488	1.488	1.488	1.488	1.488
4th	1.000			1.000	1.000	1.000	1.000 / 1.000	1.000	1.000	1.000	1.000	1.000	1.000	1.000	1.000
5th	0.687			0.687	0.687	0.687	0.778 / 0.687	0.687	0.687	0.687	0.687	0.687	0.687	0.687	0.687
6th	0.580			0.580	0.580	0.580	0.661 / 0.580	0.580	0.580	0.580	0.580	0.580	0.580	0.580	0.580
Reverse	3.732			3.732	3.732	3.732	3.959 / 3.732	3.732	3.732	3.732	3.732	3.732	3.732	3.732	3.732
Rear axle ratio	4.272			4.272	4.272	4.272	3.692 / 4.272	4.272	4.272	4.272	4.272	4.272	4.272	4.272	4.272
4WD transfer box - High / Low ratio	-			1.000 / 2.566	1.000 / 2.566	1.000 / 2.566	1.000 / 2.566	1.000 / 2.566	1.000 / 2.566	1.000 / 2.566	1.000 / 2.566	1.000 / 2.566	1.000 / 2.566	1.000 / 2.566	1.000 / 2.566
Easy Select 4WD	-			■	■	■	■	■	■	■	■	■	■	■	■
Super Select 4WD-II	-			-	-	-	-	-	-	-	-	-	-	-	-
Selectable off-road modes	-			-	-	-	-	-	-	-	-	-	-	-	-
Active Yaw Control (AYC)	-			-	-	-	-	-	-	-	-	-	-	-	-
Rear differential lock	-			-	-	■	-	-	-	■	-	-	-	■	-
Steering & Chassis															
Electric Power Steering (EPS)	■			-			■								
Steering Gear Type Rack & Pinion	■			-			■								
Front brakes	Ventilated disc 320 mm			-			Ventilated disc 320 mm								
Rear brakes	11.6" LT drum			-			11.6" LT drum								
Front suspension	High mounted double wishbone with coil spring & stabiliser bar			-			High mounted double wishbone with coil spring & stabiliser bar								
Rear suspension	Leaf spring (heavy duty)			-			Leaf spring (heavy duty)								
Underbody guard (heavy duty)	-			-			■								
YAMAHA Performance Damper	-			-			-								
Wheels and Tyres															
Wheels	Steel			Steel	Alloy	Steel	Alloy	Alloy	Alloy (black finish)	Alloy	Alloy	Alloy	Alloy	Alloy (black finish)	Alloy (black finish)
Wheel size (inches)	17x7.5J			17x7.5J	17x7.5J	17x7.5J	17x7.5J	17x7.5J	18 x 7.5J	18 x 7.5J	18 x 7.5J	18 x 7.5J	18 x 7.5J	18 x 7.5J	18 x 7.5J
Tyre type	Highway Terrain			All Terrain	All Terrain	All Terrain	All Terrain	All Terrain	Highway Terrain	Highway Terrain	Highway Terrain	Highway Terrain	Highway Terrain	Highway Terrain	Highway Terrain
Tyre size	265/65R17 112H			265/65R17 112H	265/65R17 112H	265/65R17 112H	265/65R17 112H	265/65R17 112H	265/60R18 110H	265/60R18 110H	265/60R18 110H	265/60R18 110H	265/60R18 110H	265/60R18 110H	265/60R18 110H
Spare wheel type	Full size			Full size	Full size (alloy)	Full size	Full size (alloy)	Full size (alloy)	Alloy (black finish)	Full size (alloy)	Full size (alloy)	Full size (alloy)	Full size (alloy)	Alloy (black finish)	Alloy (black finish)
Connected Services															
Mitsubishi Connect	-			-	-	-	-	-	-	-	-	-	-	-	■
Emergency Call System (E-call)	-			-	-	-	-	-	-	-	-	-	-	-	■

MECHANICAL

KEY	Standard		2WD												4WD											
	■	Optional	GLX Single Cab Cab Chassis	GLX Double Cab Pick-Up	GLX Single Cab Cab Chassis	GLX Club Cab Cab Chassis	GLX+ Club Cab Pick-Up	GLX Double Cab Cab Chassis	GLX Double Cab Pick-Up	GLX+ Double Cab Cab Chassis	GLX+ Double Cab Pick-Up	GLX-R Double Cab Pick-Up	GLS Double Cab Cab Chassis	GLS Double Cab Pick-Up*	GSR Double Cab Cab Chassis	GSR Double Cab Pick-Up*										
	-	Not available	Auto	Auto	Auto	Auto	Auto	Man/Auto	Auto	Auto	Auto	Auto	Auto	Auto	Auto	Auto										
INTERIOR	Styling																									
	Leather bound steering wheel	-	-	-	-	-	-	-	-	-	-	-	■	■	■	■										
	Leather bound gearshift	-	-	-	-	-	-	-	-	-	-	-	■	■	■	■										
	Leather bound park brake	-	-	-	-	-	-	-	-	-	-	-	■	■	■	■										
	Orange accent stitching	-	-	-	-	-	-	-	-	-	-	-	-	-	■	■										
	Carpet floor covering	-	-	-	-	-	-	-	-	-	-	-	■	■	■	■										
	Vinyl floor covering	■	■	■	■	■	■	■	■	■	■	■	-	-	-	-										
	Carpet mats	-	-	-	-	-	-	-	-	-	-	-	-	-	■	■										
	Seating																									
	Leather appointed seats	-	-	-	-	-	-	-	-	-	-	-	-	-	□	■	■									
	Fabric seat trim	■	■	■	■	■	■	■	■	■	■	■	■	■	-	-	-									
	Heated front seats	-	-	-	-	-	-	-	-	-	-	-	-	-	□	■	■									
Driver's seat power adjustment	-	-	-	-	-	-	-	-	-	-	-	-	-	□	■	■										
Driver's seat manual adjustment	■	■	■	■	■	■	■	■	■	■	■	■	■	■	-	-										
Driver's seat power lumbar adjustment	■	■	■	■	■	■	■	■	■	■	■	■	■	■	■	■										
2nd row centre armrest with cupholders	-	-	-	-	-	-	-	-	-	-	-	-	-	■	■	■										
Storage																										
Centre console storage box - with lid	■	■	■	■	■	■	■	■	■	■	■	■	■	■	■	■										
Upper glove box - with lid	-	-	-	-	-	-	-	-	-	-	-	-	-	-	-	-										
Upper glove box - open	■	■	■	■	■	■	■	■	■	■	■	■	■	-	-	-										
Cup holders - dash mounted	-	-	-	-	-	-	-	-	-	-	-	-	-	-	-	-										
Cup holders - other	2	4	2	2	2	4	4	4	4	4	4	4	4	4	4	4										
Bottle holders	2	4	2	2	4	4	4	4	4	4	4	4	4	4	4	4										
Sunglasses storage	■	■	■	■	■	■	■	■	■	■	■	■	■	■	■	■										
Door pockets - front	■	■	■	■	■	■	■	■	■	■	■	■	■	■	■	■										
Seat back pocket - driver and passenger	-	-	-	-	-	-	-	-	-	-	-	-	-	■	■	■										
Exterior Dimensions																										
Overall length (mm)	Dependent on tray fitted	5320	Dependent on tray fitted		5320	Dependent on tray fitted	5320	Dependent on tray fitted	5320	Dependent on tray fitted	5320	Dependent on tray	5320	Dependent on tray	5320											
Overall width (mm)	1865	1865	1865	1865	1865	1865	1865	1865	1865	1865	1865	1865	1865	1930	1930											
Overall height (mm)	1785	1795	1785	1785	1795	1795	1795	1795	1795	1795	1795	1795	1795	1815	1815											
Wheelbase (mm)	3130	3130	3130	3130	3130	3130	3130	3130	3130	3130	3130	3130	3130	3130	3130											
Turning circle, kerb to kerb (m)	12.4	12.4	12	12	12.4	12.4	12.4	12.4	12.4	12.4	12.4	12.4	12.4	12.4	12.4											
Approach angle (degrees)	30.4	30.4	30	30	30.4	30.4	30.4	30.4	30.4	30.4	30.4	30.4	30.4	30.4	30.4											
Departure angle (degrees)	Dependent on tray fitted	22.8	Dependent on tray fitted		22.8	Dependent on tray fitted	22.8	Dependent on tray fitted	22.8	Dependent on tray fitted	22.8	Dependent on tray fitted	22.8	Dependent on tray fitted	22.8											
Ramp breakover angle (degrees)	23.6	23.6	23	23	23.4	23.4	23.4	23.4	23.4	23.4	23.4	23.4	23.4	23.4	23.4											
Ground clearance (mm)	228	228	228	228	228	228	228	228	228	228	228	228	228	228	228											
Interior Dimensions																										
Front head room (mm)	1007	1000	1007	1000	1000	1000	1000	1000	1000	1000	1000	1000	1000	1000	1000											
Front leg room (mm)	1059	1059	1059	1059	1059	1059	1059	1059	1059	1059	1059	1059	1059	1059	1059											
Front shoulder room (mm)	1479	1479	1479	1479	1479	1479	1479	1479	1479	1479	1479	1479	1479	1479	1479											
2nd row head room (mm)	-	972	-	916	916	916	916	916	916	916	916	916	916	916	916											
2nd row leg room (mm)	-	857	-	632	632	632	632	632	632	632	632	632	632	632	632											
2nd row shoulder room (mm)	-	1445	-	1270	1270	1270	1270	1270	1270	1270	1270	1270	1270	1270	1270											
Weights and Capacities																										
Kerb mass (kg)	1756	2015	1865	1957	2089	2003 / 1993	2117	1991	2108	2107	1990	2129*	2006	2170*												
Gross vehicle mass (GVM) - [kg]	3070	3070	3200	3200	3200	3200	3200	3200	3200	3200	3200	3200 / 3080	3200	3200 / 3080												
Gross combination mass (GCM) - [kg]	6210	6210	6250	6250	6250	6250	6250	6250	6250	6250	6250	6250	6250	6250												
Maximum payload (kg)	1304 / 1314	1055	1330 / 1335	1243	1111	1197 / 1207	1083	1209	1092	1093	1210	1071* / 951*	1194	1030* / 910*												
Maximum front axle load (kg)	1500	1580	1580	1580	1580	1580	1580	1580	1580	1580	1580	1580	1580	1580												
Maximum rear axle load (kg)	1980	2040	2040	2040	2040	2040	2040	2040	2040	2040	2040	2040	2040	2040												
Towing capacity - braked (kg)	3500	3500	3500	3500	3500	3500	3500	3500	3500	3500	3500	3500	3500	3500												
Towing capacity - unbraked (kg)	750	750	750	750	750	750	750	750	750	750	750	750	750	750												
Towing capacity - maximum towball load (kg)	350	350	350	350	350	350	350	350	350	350	350	350	350	350												
Cargo																										
Cargo body interior length (mm)	Dependent on tray fitted	1555	Dependent on tray fitted		1860	Dependent on tray fitted	1555	Dependent on tray fitted	1555	Dependent on tray fitted	1555	1555	1555	1555												
Cargo body interior width (mm)	Dependent on tray fitted	1545	Dependent on tray fitted		1535	Dependent on tray fitted	1545	Dependent on tray fitted	1545	Dependent on tray fitted	1545	1545	1545	1545												
Cargo body interior height (mm)	Dependent on tray fitted	526	Dependent on tray fitted		515	Dependent on tray fitted	526	Dependent on tray fitted	526	Dependent on tray fitted	526	526	526	526												
Cargo body floor height from ground (mm)	Dependent on tray fitted	820	Dependent on tray fitted		820	Dependent on tray fitted	820	Dependent on tray fitted	820	Dependent on tray fitted	820	820	820	820												
Width between wheel arches (mm)	-	1135	-	1135	1135	-	1135	-	1135	-	1135	1135	-	1135												
ACCESSORY																										
Standard	-	-	-	-	-	-	-	-	-	-	-	-	-	-	-											
Sailplane	-	-	-	-	-	-	-	-	-	-	-	-	-	-	-											
Sports Bar	-	-	-	-	-	-	-	-	-	-	-	-	-	-	-											
Tub Liner	-	-	-	-	-	-	-	-	-	-	-	-	-	-	-											
Tailgate Asssist	-	-	-	-	-	-	-	-	-	-	-	-	-	-	-											
Carpet Mats	-	-	-	-	-	-	-	-	-	-	-	-	-	-	-											

* Australian Standard ADR 81/02. Figures to be used for comparison across vehicles. Driving conditions will affect actual results.

^ No cost dealer fit-option. Not compatible with genuine Front Protection Bar (FPB).

+ Kerb mass and Payload shown for Standard GLS model. Kerb mass/Payload for GLS Leather & GLS Leather 0.9t is 2135/1065 & 2135/945 respectively.

Specification shown for 1.0t / 0.9t payload models.

PICK UP

EXTERIORS

INTERIORS

GLX
DOUBLE CAB

(2WD / 4WD) 6 MT 6 AT



Black Fabric

GLX+
CLUB CAB

(4WD) 6 AT



Black Fabric with Silver Stitching

GLX+
DOUBLE CAB

(4WD) 6 AT



Black Fabric with Silver Stitching

GLX-R
DOUBLE CAB

(4WD) 6 AT



Black Fabric with Silver Stitching. Leather Appointed* with Silver Stitching (Optional)

GLS
DOUBLE CAB

(4WD) 6 AT



Black Fabric with Silver Stitching. Leather Appointed* with Silver Stitching (Optional)

GSR
DOUBLE CAB

(4WD) 6 AT



Black Leather Appointed* with Orange Stitching

CAB CHASSIS

EXTERIORS

INTERIORS

GLX

SINGLE CAB-CAB CHASSIS

(2WD / 4WD) 6 AT



Black Fabric

GLX

CLUB CAB-CAB CHASSIS

(4WD) 6 AT



Black Fabric

GLX

DOUBLE CAB-CAB CHASSIS

(2WD / 4WD) 6 MT 6 AT



Black Fabric

GLX+

DOUBLE CAB-CAB CHASSIS

(4WD) 6 AT



Black Fabric with Silver Stitching. Leather Appointed* with Silver Stitching (Optional)

GLS

DOUBLE CAB-CAB CHASSIS

(4WD) 6 AT



Black Fabric with Silver Stitching. Leather Appointed* with Silver Stitching (Optional)

GSR

DOUBLE CAB-CAB CHASSIS

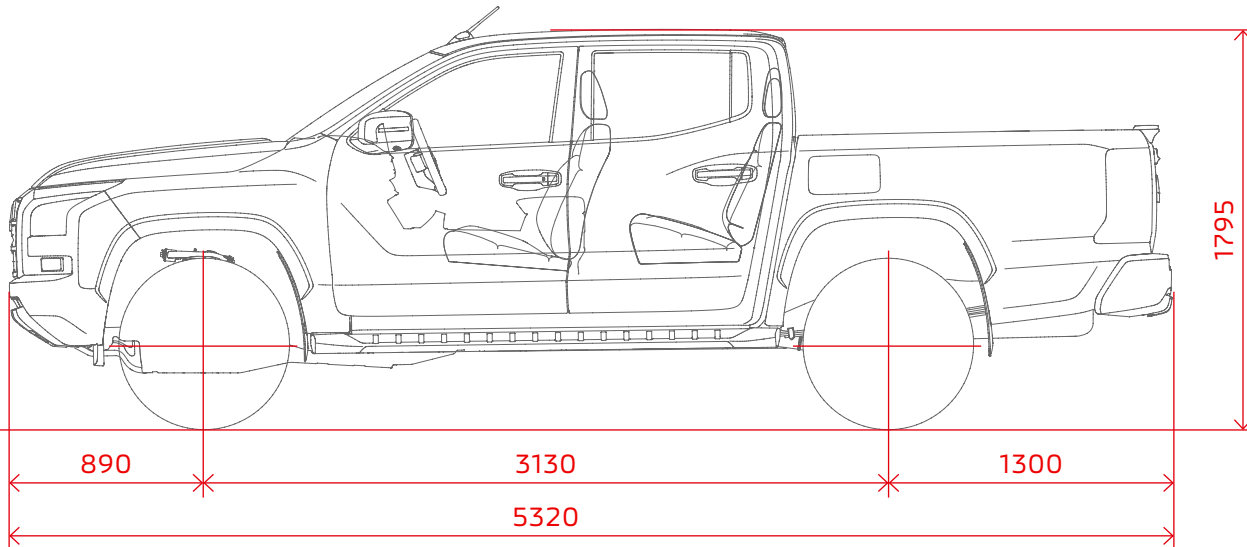
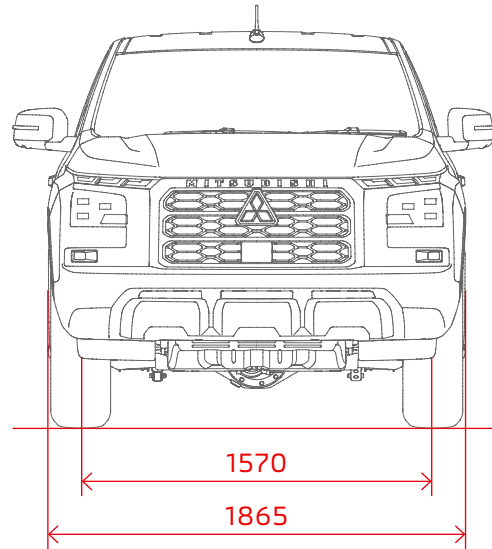
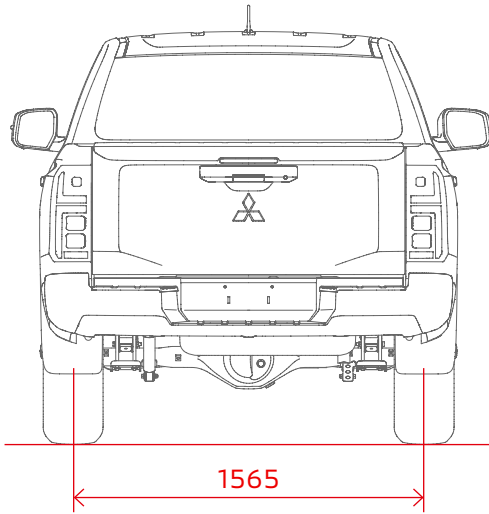
(4WD) 6 AT



Black Leather Appointed* with Orange Stitching

EXTERIOR DIMENSIONS (MM)

PICK UP



CAB CHASSIS



Aluminum (Single Cab)



Stainless Steel (Single Cab)



Aluminum (Club Cab)



Stainless Steel (Club Cab)



Aluminum (Double Cab)



Stainless Steel (Double Cab)

INTERNAL DIMENSIONS

Aluminium Tray - Single Cab	2400mm(L) x 1777mm(W)
Aluminium Tray - Club Cab	1950mm(L) x 1777mm(W)
Aluminium Tray - Double Cab	1650mm(L) x 1777mm(W)
Stainless Steel Tray - Single Cab	2400mm(L) x 1780mm(W)
Stainless Steel Tray - Club Cab	1950mm(L) x 1780mm(W)
Stainless Steel Tray - Single Cab	1650mm(L) x 1780mm(W)

L = Length, inside of headboard to inside of tailgate
W = Width, inside dimension between drop sides

DOUBLE CAB



2WD GLX DOUBLE CAB – PICK UP

FEATURES:

- 2.4L Intercooled Bi-Turbo Diesel
- 6 Speed Automatic Transmission With Manual Shift Mode
- Transmission Shift Lock with Key Interlock
- 17" Steel Wheels
- Electric Power Steering
- Heavy Duty Suspension
- Black Rear Bumper
- Auto High Beam System
- Rear Window Demisters
- Tilt And Telescopic Steering Column
- Power Door Mirrors – Black
- Power Windows
- 3 Spoke Steering Wheel
- Steering Wheel Audio Controls
- Steering Wheel Phone Controls
- Seating Capacity – 5
- Cruise Control
- Central Door Locking With Keyless Entry
- 7-inch Multi-Information Display
- Smartphone link Display Audio with 9-inch Touch Screen
- Satellite Navigation System
- AM/FM Radio
- USB Input x 2 (1 x Type A, 1 x Type C)
- Bluetooth Phone Connectivity & Audio Streaming With Voice Control
- 4 Speakers
- 12V Accessory Socket – Console
- 8 SRS Airbags
- Automatic Air Conditioning
- Vinyl Floor Covering
- Fabric Seat Trim
- Mud Flaps – Front & Rear
- Tyre Pressure Monitoring System (TPMS)
- Rear View Camera
- Front & Rear Parking Sensors
- Accessory Power Socket
- Door Pockets
- Cup Holders x 4
- Bottle Holders x 4
- Rear Body Guard
- Driver And Passenger Assist Grips
- Wireless Apple CarPlay
- Android Auto
- Driver Seat Power Lumbar Adjustment

MITEC MITSUBISHI INTUITIVE TECHNOLOGY

- Adaptive Cruise Control (ACC)
- Active Stability Control (ASC)
- Traction Control System (TCS)
- Hill Start Assist (HSA)
- Trailer Stability Assist (TSA)
- Emergency Stop Signal System (ESS)
- Forward Collision Mitigation (FCM) With Pedestrian, Cyclist Sensing & Junction Assist
- Rear Cross Traffic Alert (RCTA)
- Lane Departure Warning (LDW)
- Lane Change Alert (LCA)
- Emergency Lane Keeping (ELK)
- Blind Spot Warning (BSW)
- Blind Spot Intervention
- Traffic Sign Recognition (TSR)
- Driver Attention Alert (DAA)
- Driver Monitor System (DMS)
- Multi Around View Monitor
- Rear Automatic Emergency Braking
- Automatic Post Collision Braking
- Intelligent Speed Limiter



4WD GLX DOUBLE CAB – PICK UP

INCLUDES ALL 2WD GLX DOUBLE CAB FEATURES PLUS:

- Easy Select 4WD
- Two Speed Transfer
- All Terrain Tyres
- Roof Mounted Air Circulator



4WD GLX+ DOUBLE CAB – PICK UP

INCLUDES ALL 4WD GLX DOUBLE CAB - PICK UP FEATURES PLUS:

- Rear Differential Lock
- 17" Alloy Wheels
- Side Steps
- Front Fog Lamps
- DAB
- 2nd Row USB Power Socket x 2 (1 x Type A, 1 x Type C)
- Privacy Glass
- Seat Silver Accent Stitching

CLUB CAB



4WD GLX+ CLUB CAB – PICK UP

INCLUDES ALL 4WD GLX DOUBLE CAB - PICK UP FEATURES PLUS:

- 17" Silver Alloy Wheels
- Rear differential lock
- Front Fog Lamps
- Side Steps
- Privacy Glass (rear door & rear window)
- Seat Silver Accent Stitching (seat)
- Digital Audio Broadcast (DAB)
- USB Power Socket 1 x Type A & 1 x Type C



4WD GLX-R DOUBLE CAB – PICK UP

INCLUDES ALL 4WD GLX+ DOUBLE CAB - PICK UP FEATURES PLUS:

- Black 18" Alloy Wheels
- Highway Terrain Tyres
- Carpet Floors
- Leather Steering Wheel
- Super Select 4WD-II
- Terrain Control – 7 Modes
- All Terrain Tyres (Removed)

GENUINE ACCESSORIES FITTED AT FACTORY*

- Black Sports Bar
- Tailgate Assist



4WD GLS DOUBLE CAB – PICK UP

INCLUDES ALL 4WD GLX+ DOUBLE CAB - PICK UP FEATURES PLUS:

- 18" Alloy Wheels
- Gloss Black Grille
- LED Headlights
- LED Daytime Running Lights (DRL)
- Fabric Seat Trim (Optional Leather Appointed†)
- Power Drivers Seat (Optional)
- Heated Front Seats (Optional)
- Door Mirrors With Power Fold Control and Integrated Turn-Indicator
- Smart Key
- One Touch Start System
- Door Trim Fabric Inserts (Optional Leather Appointed†)
- Interior Trim With Silver Accent
- Climate Control Dual Zone Air Conditioning
- 6 Speakers
- Smartphone Wireless Charger
- Electrochromic Rear View Mirror
- Cup Holders – Dash Mounted

GENUINE ACCESSORIES FITTED AT FACTORY*

- Tub Liner



4WD GSR DOUBLE CAB – PICK UP

INCLUDES ALL 4WD GLS DOUBLE CAB - PICK UP FEATURES PLUS:

- 18" Black Alloy Wheels
- Black Door Handles
- Black Roof Rail
- Black Rear Bumper
- Black Lower Front Bumper
- Embossed Body Colour Grille
- Black Wheel Arch Mouldings
- Leather Appointed† Seat Trim With Orange Accent Stitching
- Heated Front Seats
- Driver's Seat Power Adjustment
- Leather Appointed† Door Trims With Orange Accent Stitching
- Interior Trim With Dark Titanium Accents
- Mitsubishi Connect
- Emergency Call System (E-call)
- YAMAHA Performance Damper

GENUINE ACCESSORIES FITTED AT FACTORY*

- Black Sailplane
- Tub Liner
- Carpet Mats



4WD GSR PLUS ROLL TOP ACCESSORY PACK

INCLUDES ALL 4WD GSR DOUBLE CAB – PICK UP FEATURES PLUS:

- Electric or Manual Roll top Tonneau Cover
- Tow Bar Kit*
- Electric Trailer Brake Controller and Harness
- Dust & Water Defence Kit
- Cargo Tie Down
- Black Grille Emblem

*Leather appointed seats are a combination of genuine and artificial leather, and are not wholly leather. †The kit includes a Tow Bar, Tongue, Wiring Harness, 7-pin flat plug, Towball, Towball Cover and Storage Bag. #Genuine Accessories fitted at factory are MITSUBISHI MOTORS Genuine Accessories. These accessories are not covered by the vehicle warranty, however they are covered by Mitsubishi's Genuine Accessories warranty and are subject to the terms and conditions of this warranty. For warranty conditions regarding Genuine Accessories, please refer to MITSUBISHI MOTORS website or see your local dealer.

SINGLE CAB

CLUB CAB

DOUBLE CAB



2WD GLX SINGLE CAB – CAB CHASSIS

FEATURES:

- 2.4 Bi-Turbo engine
- Engine Auto Stop & Go System
- 17" steel wheels
- Halogen Daytime Running Lamps (DRL)
- Black Grille
- Black Rear Bumper
- Black Door Handles
- Black Door Mirrors
- Side Door Garnish
- Cloth Seat Trim
- Driver Seat Lumbar Support
- 8 Airbags w/Driver Knee & Ctr Airbag
- Vinyl Floor Covering
- Rear view camera
- Front & Rear parking sensors
- Rain Sensing Wipers
- Dusk Sensing headlamps
- Auto High Beam (AHB)
- Tyre Pressure Monitoring System
- 7" Multi information display
- Embedded Sat Nav
- Wireless Apple Carplay
- Android Auto
- 1 x USB-A and 1 x USB-C (Front)

MITEC MITSUBISHI INTUITIVE TECHNOLOGY

- FCM with Pedestrian & Cyclist detection
- Front* & Rear Cross Traffic Alert
- Automatic Post-Collision Braking
- Adaptive Cruise Control (ACC)
- Emergency Lane Assist (ELA)
- Lane Departure Warning (LDW)
- Lane Change Assist (LCA)
- Blind Spot Warning (BSW)
- Intelligent Speed Limiter (ISL)
- Traffic Sign Recognition (TSR)
- Driver Monitor System (DMS)
- Driver Attention Alert (DAA)
- Active Stability Control (ASC)
- Active Traction Control (ATC)
- Hill Start Assist (HAS)
- Trailer Stability Assist (TSA)

4WD GLX SINGLE CAB – CAB CHASSIS

INCLUDES ALL 2WD GLX SINGLE CAB – CAB CHASSIS FEATURES PLUS:

- Easy Select 4WD
- All Terrain Tyres
- Metal Engine Undercover

4WD GLX CLUB CAB – CAB CHASSIS

FEATURES:

- 2.4 Bi-Turbo engine
- Engine Auto Stop & Go System
- 17" steel wheels
- Easy Select 4WD
- Daytime Running Lamps (DRL)
- Black Grille
- Black Door Handles
- Black Door Mirrors
- Side Door Garnish
- Cloth Seat Trim
- Driver Seat Lumbar Support
- 8 Airbags w/Driver Knee & Ctr Airbag
- Automatic Air Conditioning
- Vinyl Floor Covering
- Rear view camera
- Front & Rear parking sensors
- Rain Sensing Wipers
- Dusk Sensing headlamps
- Auto High Beam (AHB)
- Tyre Pressure Monitoring System
- 7" Multi information display
- 4 Speakers
- Embedded Sat Nav
- Wireless Apple Carplay
- Android Auto

MITEC MITSUBISHI INTUITIVE TECHNOLOGY

- FCM with Pedestrian & Cyclist detection
- Front* & Rear Cross Traffic Alert
- Automatic Post-Collision Braking
- Adaptive Cruise Control (ACC)
- Emergency Lane Assist (ELA)
- Lane Departure Warning (LDW)
- Lane Change Assist (LCA)
- Blind Spot Warning (BSW)
- Intelligent Speed Limiter (ISL)
- Traffic Sign Recognition (TSR)
- Driver Monitor System (DMS)
- Driver Attention Alert (DAA)
- Active Stability Control (ASC)
- Active Traction Control (ATC)
- Hill Start Assist (HAS)
- Trailer Stability Assist (TSA)

4WD GLX DOUBLE CAB – CAB CHASSIS

FEATURES:

- 2.4 Bi-Turbo engine
- Engine Auto Stop & Go System
- 17" steel wheels
- Easy Select 4WD
- Daytime Running Lamps (DRL)
- Black Grille
- Black Door Handles
- Black Door Mirrors
- Side Door Garnish
- Cloth Seat Trim
- Driver Seat Lumbar Support
- 8 Airbags w/Driver Knee & Ctr Airbag
- Automatic Air Conditioning
- Vinyl Floor Covering
- Rear view camera
- Front & Rear parking sensors
- Rain Sensing Wipers
- Dusk Sensing headlamps
- Auto High Beam (AHB)
- Tyre Pressure Monitoring System
- 7" Multi information display
- 4 Speakers
- Embedded Sat Nav
- Wireless Apple Carplay
- Android Auto

MITEC MITSUBISHI INTUITIVE TECHNOLOGY

- FCM with Pedestrian & Cyclist detection
- Front* & Rear Cross Traffic Alert
- Automatic Post-Collision Braking
- Adaptive Cruise Control (ACC)
- Emergency Lane Assist (ELA)
- Lane Departure Warning (LDW)
- Lane Change Assist (LCA)
- Blind Spot Warning (BSW)
- Intelligent Speed Limiter (ISL)
- Traffic Sign Recognition (TSR)
- Driver Monitor System (DMS)
- Driver Attention Alert (DAA)
- Active Stability Control (ASC)
- Active Traction Control (ATC)
- Hill Start Assist (HAS)
- Trailer Stability Assist (TSA)

4WD GLX+ DOUBLE CAB – CAB CHASSIS

INCLUDES ALL 4WD GLX DOUBLE CAB – CAB CHASSIS FEATURES PLUS:

- 17" Silver Alloy Wheels
- Rear differential lock
- Front Fog Lamps
- Side Steps
- Privacy glass (rear door & rear window)
- Silver Accent Stitch (seat)
- Digital Audio Broadcast (DAB)
- 2 x USB-A and 2 x USB-C (Front & Rear)

4WD GLS DOUBLE CAB – CAB CHASSIS

INCLUDES ALL 4WD GLX+ DOUBLE CAB – CAB CHASSIS FEATURES PLUS:

- 18" Dark Grey Alloy Wheels
- Super Select II 4WD
- Terrain Control with 7 Drive Modes
- LED headlamps
- LED side turn, rear and fog lamps
- LED Daytime Running Lamps (DRL)
- Unique Black Grille
- Power folding door mirrors
- Keyless Entry – Smart Key
- One Touch Start – Smart Key
- Vanity Mirror with Lid and Ticketholder
- Dual Zone Auto Air-conditioning
- 6 speakers
- Smartphone wireless charger
- Dash Mounted Cup Holders



4WD GSR DOUBLE CAB – CAB CHASSIS

INCLUDES ALL 4WD GLS DOUBLE CAB – CAB CHASSIS FEATURES PLUS:

- 18" Black Alloy Wheels
- Body Colour Grille
- Black Dynamic Shield
- Black Door Handles & Mirrors
- Black Fender Flares
- Black Roof Rails
- Side Steps Dark Titanium Accent
- Interior Trim Dark Titanium Accent
- Black Headlining
- Black Leather Appointed Seats†
- Black Synthetic Leather Door Trim Panels
- Interior Trim Orange Accent Stitching
- Power Driver Seat Adjustment
- Heated Front Seats (Cushion & Back)

STRONGER. STURDIER. TOUGHER.

Why Genuine Accessories?

Each and every one goes through an extensive program of design, development and stringent testing to ensure they meet all applicable government standards as well as Mitsubishi's own rigorous engineering specifications and performance targets. Engineered and tested to be safe and durable and covered by up to 10 years warranty through extended new car warranty* when all scheduled services are completed at a Mitsubishi Motors Dealership.



MITSUBISHI
DIAMOND
ADVANTAGE
GENUINE ACCESSORIES

NOT GENUINE? DON'T RISK IT.

ACCESSORY PACKS

TERRAIN PACK

Suits GLS, GLX+ and GLX



GLS model shown.

The Terrain Pack for the Triton ensures you have high quality, reliable accessories suitable for any adventure.

ACCESSORIES IN PACK:



Front Protection Bar (Steel)
- Winch compatible



Side Protection Bar



Rear Protection Bar – requires
fitment of genuine Tow Bar



Tow Bar, Tongue, Ball, Wiring
Harness, 7 Pin Plug, Ball Cover,
Storage Bag

SPORTS PACK

Suits GLS and GLX+



GLS model shown.

Whether you're hitting the city or heading off-road, the Sports Pack is a perfect fit for the Triton. Mitsubishi Genuine Accessories elevate the style and toughness of your Triton.

ACCESSORIES IN PACK:



Soft Tonneau Cover



Sports Bar (Black)



Under Ride Protection



Weathershields



Grille Emblem (Black)

ACCESSORY PACKS

ROLL TOP PACK

Suits GLX/GLX+/GLX-R/GLS/GSR/GSR SPECIAL EDITION



GSR model shown.

ACCESSORIES IN PACK:



Grille Emblem (Black)



Cargo Tie Down



Dust & Water Defence Kit



Electric or Manual* Roll Top Tonneau Cover



Electric Trailer Brake Kit (REDARC)



Tow Bar, Tongue, Ball, Wiring Harness, 7 Pin Plug, Ball Cover, Storage Bag

The Roll Top Tonneau Pack for the Triton turbocharges your vehicle functionality. With everything from a full Tow Bar package to Cargo Tie Down Kit, you're equipped for work and play.

When pack fitted to CLX-R or GSR Special Edition the standard sports bar will be removed. *Manual Roll Top Tonneau only available on GSR models. Electric Roll Top Tonneau available on CLX+/CLX-R/GLS/GSR/GSR Special Edition models

EXTERIOR & INTERIOR



Front Protection Bar (Steel) - Winch compatible



Front Protection Bar (Alloy) - Winch compatible



Winch Cradle - Closed



Winch Cradle - Open



Hoopless Front Protection Bar



Nudge Bar (Black)



Nudge Bar (Polished)



Driving Lamps - including Harness - Suits FPB or Nudge Bar



Headlight Protectors (suits models with LED headlamps only)



Bonnet Protector (Clear)



Bonnet Protector (Tinted)



Bonnet Protector (Matte)



Weathershields



Grille Emblem (Chrome)



Grille Emblem (Black)



Snorkel



Under Ride Protection



Fender Flares - not compatible with Front Protection Bar



Rear Protection Bar - requires fitment of genuine Tow Bar



Side Protection Bar



Sailplane (Black)



Sports Bar (Black)



Sports Bar (Polished)



Rubber Floor Mats with High Edge



Rubber Floor Mats with Low Edge



Carpet Floor Mats



Carpet Floor Mats with Triton logo

CARGO & TOWING



Canopy Lift/Lift Windows (Body Colour) - Closed



Canopy Lift/Lift Windows (Body Colour) - Open



Two Tone Canopy Lift/Lift Windows (Body Colour/Jet Black) - Closed



Two Tone Canopy Lift/Lift Windows (Body Colour/Jet Black) - Open



Canopy Sliding Window - Left or Right Hand Side



Roof Rack Cross Bars - Double Cab with Roof Rails



Roof Rack Cross Bars - Double Cab without Roof Rails



Soft Tonneau Cover



Soft Tonneau Cover - suits Header Bar



Soft Tonneau Cover - with Sports Bar



Hard Tonneau Cover (Body Colour)



Aluminium Hard Tonneau Cover (Black)



Manual Roll Top Tonneau Cover suits Sailplane



Electric Roll Top Tonneau Cover



Electric Roll Top Tonneau - with Sailplane



Dust & Water Defence Kit



Tailgate Assistance Kit



Rubber Tub Mat



Under Rail Tub Liner



Cargo Tie Down



Tow Bar, Tongue, Ball, Wiring Harness, 7 Pin Plug, Ball Cover, Storage Bag



Tow Ball, Tow Ball Cover and Storage Bag



Electric Roll Top Tonneau - with Sports Bar



Electric Trailer Brake Kit (REDARC)



Aluminium Tray - Single Cab



Aluminium Tray - Club Cab



Aluminium Tray - Double Cab



Steel Tray - Single Cab



Steel Tray - Club Cab



Steel Tray - Double Cab



Rear Rack Tube



Window Protector



Tail Light Protector & Wiring Guard



Slide-out Step Ladder



Tool Box - RHS



COLOUR



White[^]



Blade Silver[^] (M)



Graphite Grey (M)



Red^{##}



Impulse Blue^{##} (M)



Black Mica[#] (P)



White Diamond^{##} (X)



Yamabuki Orange^{*} (X)



White Diamond^{##} (X)



Graphite Grey (M)



Black Mica[#] (P)

- (X) Prestige
- (M) Metallic
- (P) Pearlescent

[^]Not available on GSR

[#]Not available on GLX

^{*}Not available on GLX+ or GLX-R

⁺Available on GSR only

UPHOLSTERY



GLX Black Fabric



GLX+, GLX-R, GLS Black Fabric Silver Stitching



GLS (Optional) Black Leather Appointed[†] with Silver Stitching.
GSR Black Leather Appointed[†] with Orange Stitching

AUSTRALIA'S FIRST

10
YEARS
WARRANTY

10
YEARS
CAPPED PRICE
SERVICING

10
YEARS
ROADSIDE
ASSISTANCE

MITSUBISHI
DIAMOND
ADVANTAGE

WHEN ALL SCHEDULED SERVICES ARE COMPLETED
AT A MITSUBISHI DEALERSHIP

Introducing Australia's first 10 year Warranty¹ with 10 years Capped Price Servicing², plus 10 years Roadside Assistance³ – complimentary with your new vehicle purchase. Mitsubishi Diamond Advantage. You can count on it. Ask your Dealer or visit Mitsubishi-motors.com.au to find out more.

[†]Leather appointed seats are a combination of genuine and artificial leather, and are not wholly leather. 1. Up to 10 years from the date of first registration or 200,000km (whichever comes first) New Vehicle Warranty when all scheduled services are completed within the specified service intervals at a Mitsubishi Dealership. Otherwise, 5 years or 100,000km (whichever comes first) New Vehicle Warranty applies. Eligibility conditions and exclusions apply, full terms and conditions can be found here: <https://www.mitsubishi-motors.com.au/owners/diamond-advantage/warranty.html> 2. 10 year or 150,000km (whichever occurs first) Capped Price Servicing, comprised of the first 10 scheduled services (at 15,000km/12 month scheduled intervals). Any non-scheduled service/repair items are at an additional cost. Eligibility conditions and exclusions apply, full terms and conditions can be found here: <https://www.mitsubishi-motors.com.au/owners/service/capped-price-servicing.html> 3. Up to 10 years Roadside Assistance, comprised of an initial 12-month period extended for further periods of 12 months upon completion of each eligible Capped Price Service (up to a maximum of 10 annual Roadside Assistance periods in total). Eligibility conditions and exclusions apply, full terms and conditions can be found here: <https://www.mitsubishi-motors.com.au/owners/diamond-advantage/roadside-assist.html> All product illustrations and specifications referred to herein are believed to be correct at the time of publication approval. Subject to any applicable Federal, State or Territory Laws or ordinance, which may apply from time to time, Mitsubishi Motors Australia Limited reserves the right, without notice, or obligation, to discontinue or make changes to designs, specifications, colours and materials of the options and products referred to herein at any time without incurring any liability to any purchaser thereof. Mitsubishi Motors Australia Limited. ABN 53 007 870 396 ASX1019 MMA3498

BOOK A TEST DRIVE

BUILD AND PRICE

Availability of any vehicle will vary between model year updates. View [Triton Showroom](#) for current availability.