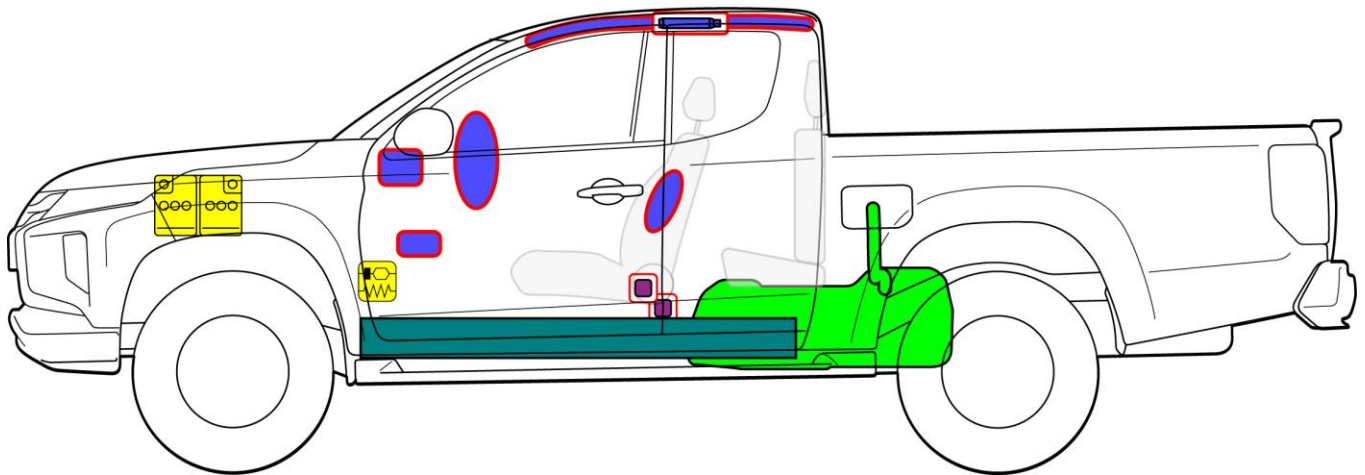
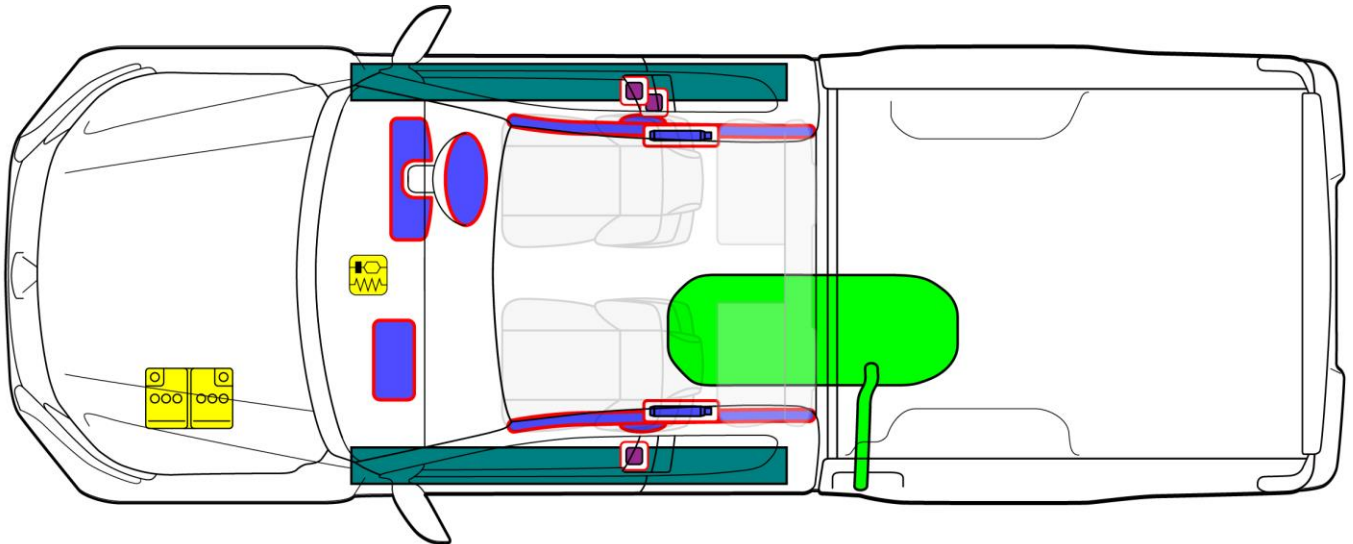




TRITON Club Cab

Body type: Truck

Type: KL1T Model year: 2019 – 2020



	Airbag		Stored gas inflator		Seat belt pretensioner		SRS control unit		Pedestrian protection active system
	Automatic rollover protection system		Gas strut / Preloaded spring		High strength zone		Zone requiring special attention		
	Battery low voltage		Ultra capacitor, low voltage		Fuel tank		Gas tank		Safety valve
	High voltage battery pack		High voltage power cable / component		High voltage disconnect		Fuse box disabling high voltage system		Ultra capacitor, high voltage
				ID No.	Version No.	Version Date.	Page		
				KLTC-ANRS-EN02	01	7/2020	1/1		